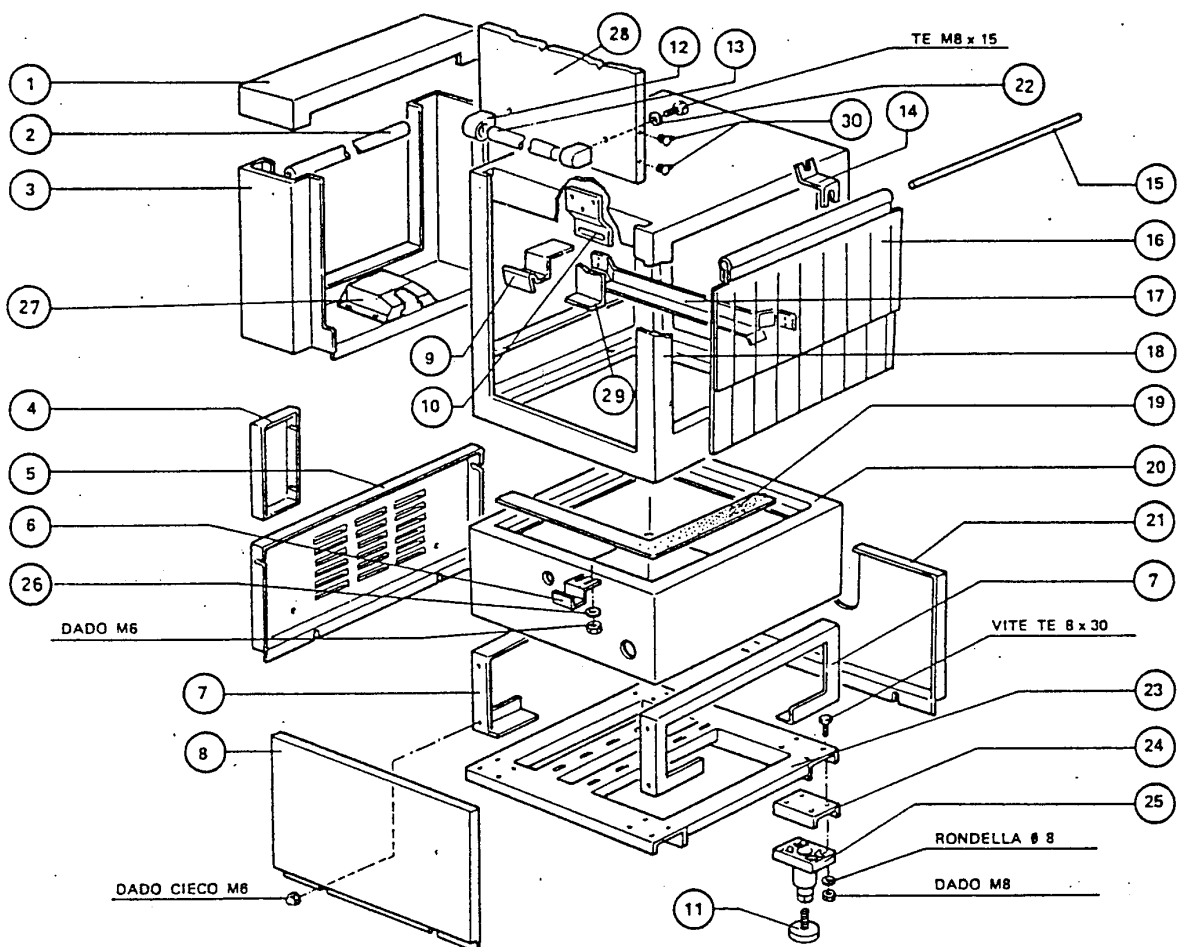


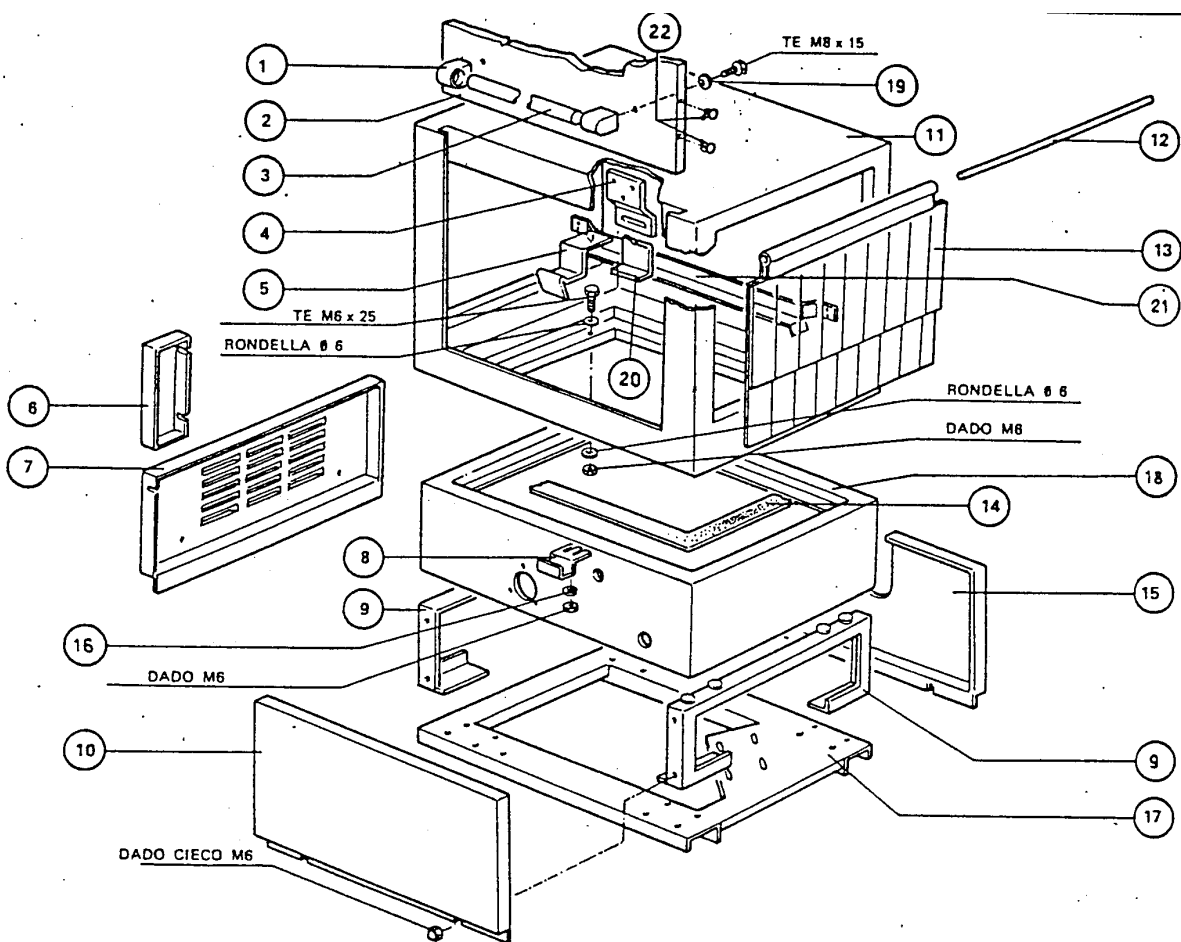
## 2 - Prewash Hood



## 2 - Prewash Hood

CODE	DESCRIPTION
160527	PLUG 14,5X2X8
160805	GASKET D.8
161114	END COVER OF PAWL BAR S3-S2900
190129	HANDLE SUPPORT SE NE GREY
190906	CURTAIN IN/OUT 620X480
200402	SELF-ADHES.RUBB.SPONGE STRIPS
210404	BLACK RUBBER FOOT S90 NE SE
260534	WASHER
320348	BASE TOP FOR SPLASH HOOD
320641	PLATE
320964	DOOR
321749	GUIDE
330760	DOOR CATCH S3Ø-S90.SNL
330778	BRACKET
331012	HANDLE 412 MM DOOR SE NE G115
331425	DOOR CATCH BRACKET SE
331429	BRACKET
340174	HOOD
340176	HOOD MM 600
340422	SHAFT FOR CURTAIN AC-ACR
341244	LEVER
341407	TANK
350271	PANEL
350297	PANEL
351128	PANEL
351130	BRACKET FOR PANEL S-SE
351131	PANEL
361018	FRAME
361020	FRAME
620222	COMPLETE ALUMINIUM LEGS

### 3 - Wash Hood



### 3 - Wash Hood

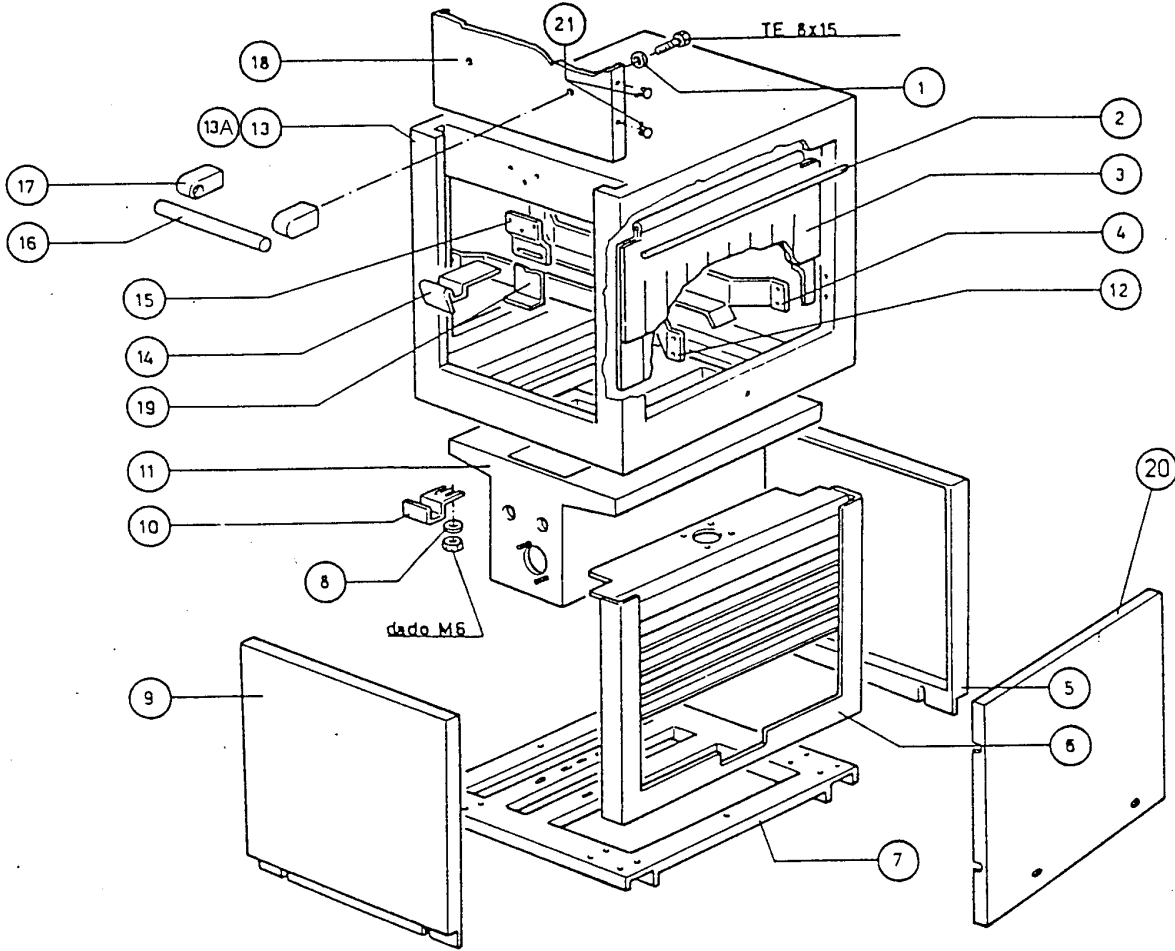
CODE	DESCRIPTION
160527	PLUG 14,5X2X8
160805	GASKET D.8
190129	HANDLE SUPPORT SE NE GREY
190906	CURTAIN IN/OUT 620X480
200402	SELF-ADHES.RUBB.SPONGE STRIPS
260534	WASHER
320963	DOOR
321748	GUIDE
330760	DOOR CATCH S3Ø-S90.SNL
330778	BRACKET
331013	HANDLE 717MM FOR SE-NE DOORS
331425	DOOR CATCH BRACKET SE
340175	HOOD MM 900
340422	SHAFT FOR CURTAIN AC-ACR
341406	TANK
350271	PANEL
350297	PANEL
351130	BRACKET FOR PANEL S-SE
351143	FRONT PANEL WASH ACR
351144	PANEL
361017	FRAME
361020	FRAME



#### 4 - Corner Wash Hood

<b>CODE</b>	<b>DESCRIPTION</b>
160527	PLUG 14,5X2X8
160805	GASKET D.8
190129	HANDLE SUPPORT SE NE GREY
190906	CURTAIN IN/OUT 620X480
200402	SELF-ADHES.RUBB.SPONGE STRIPS
210404	BLACK RUBBER FOOT S90 NE SE
260534	WASHER
320966	DOOR
330760	DOOR CATCH S3Ø-S90.SNL
330778	BRACKET
331012	HANDLE 412 MM DOOR SE NE G115
331425	DOOR CATCH BRACKET SE
340180	HOOD
340422	SHAFT FOR CURTAIN AC-ACR
341411	TANK
350325	PANEL
350326	PANEL
350327	PANEL
351130	BRACKET FOR PANEL S-SE
351148	FRONT PANEL FOR ACR CORNER WAS
361021	FRAME
361022	FRAME
620222	COMPLETE ALUMINIUM LEGS

5 - Ecorinse Hood

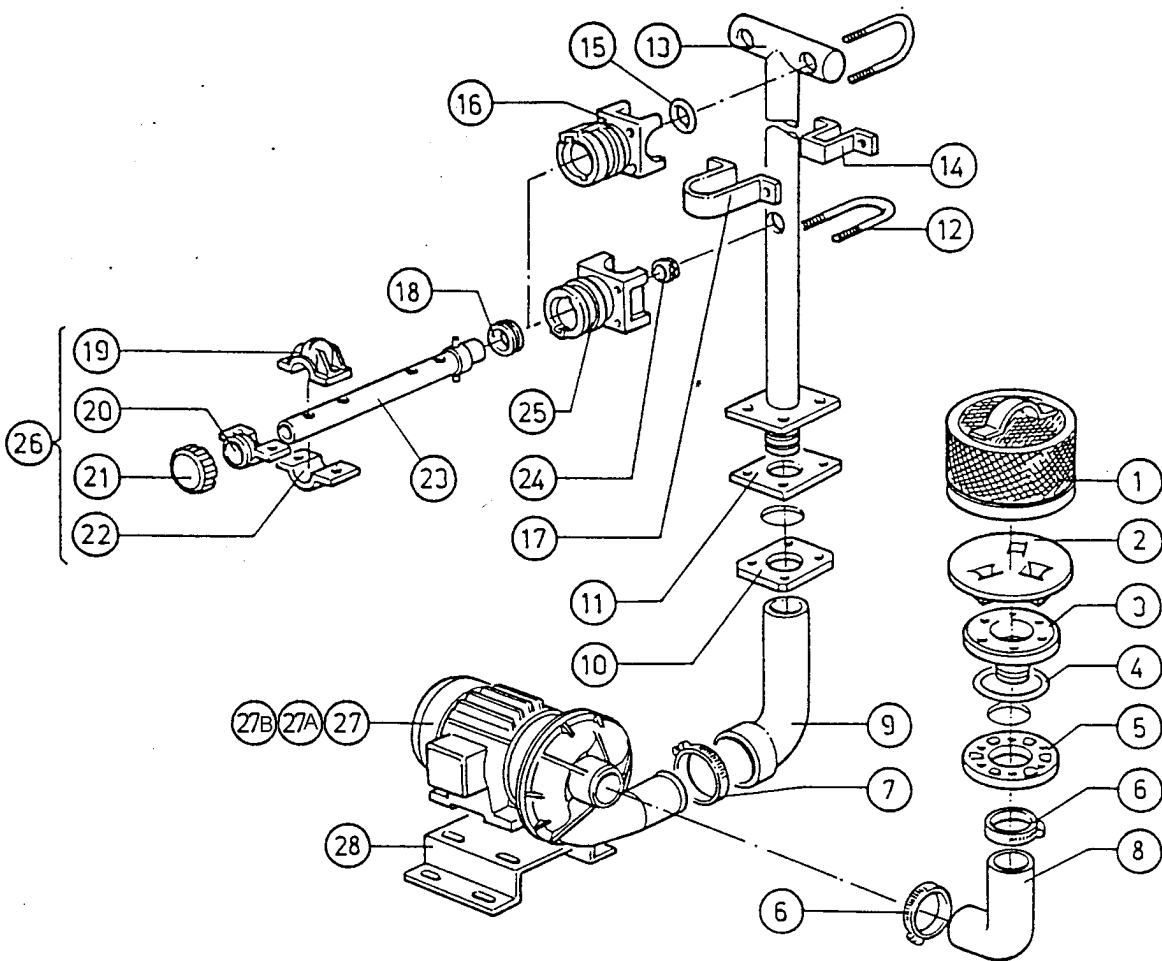


## 5 - Ecorinse Hood

CODE	DESCRIPTION
160527	PLUG 14,5X2X8
160805	GASKET D.8
190129	HANDLE SUPPORT SE NE GREY
190913	CURTAIN FOR ECORINSE SE-620X27
260534	WASHER
320964	DOOR
321749	GUIDE
321779	GUIDE
330760	DOOR CATCH S3Ø-S90.SNL
330778	BRACKET
331012	HANDLE 412 MM DOOR SE NE G115
331425	DOOR CATCH BRACKET SE
340177	HOOD (341503)
340178	HOOD 600 (341503)
340422	SHAFT FOR CURTAIN AC-ACR
341420	TANK
350272	PANEL
351130	BRACKET FOR PANEL S-SE
351131	PANEL
361016	FRAME
361018	FRAME



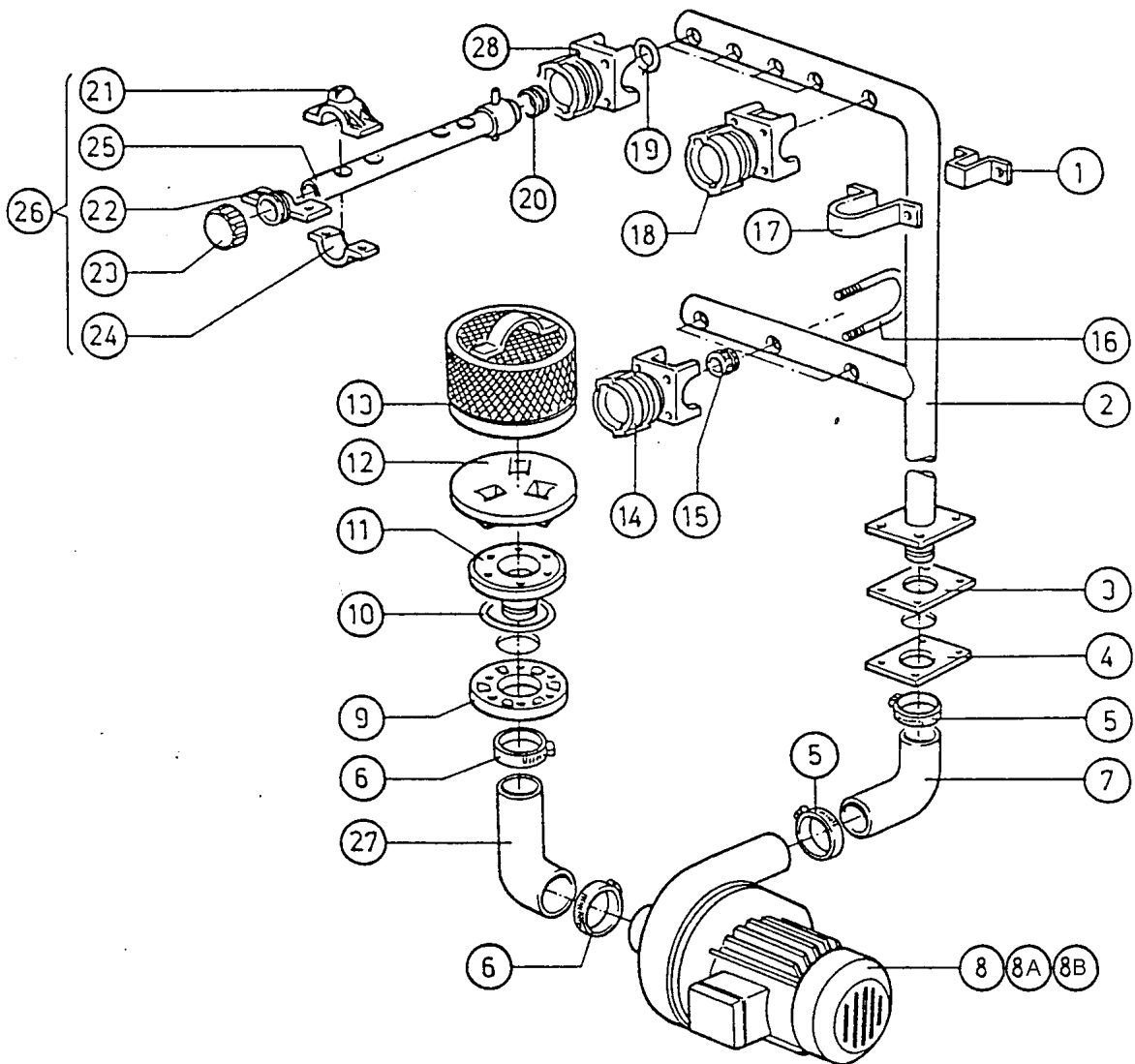
6 - Prewash Column



## 6 - Prewash Column

CODE	DESCRIPTION
100609	PUMP F.HP1,5 440/3 -1219
100663	PUMP HP 1,5 220/380/50HZ
100664	PUMP HP 1,5 240/415 50HZ 1241
160724	PLUG F. WASH ARM S90
170910	AXIAL WASH JET
180203	SUCTION FLANGE 130 N S
180204	COUNTERFLANGE D.130 SUCTION N
180211	COUNTERFLANGE - WASH JET S-N
180221	COUNTERFLANGE F.WASH ARMS PLUG
190124	CENTRAL-AXIAL WASHARM SUPPORT
190127	CENTR. WASH ARM SUPPORT SE
190623	RESTR.D.14 MOPL.S 3ØS PREWAS/P
191012	VOTEX BREAKER S3ØN.L. G65
200423	GASKET TUBE 100X100 HOLE48,5X3
200463	GASKET PRE-WASH/WASH SHORE 45/
200729	OUTLET HOSE PRE-RINSE SE
200741	INLET HOSE PREWASH. S2900
200805	OR GASKET 2,62X28,24X33,48
200807	O-RING 3,53 X 110,72
330218	TIE ROD SE-NE WASH ARM SUPPORT
330565	FILTER 185X100H SE NE SNL
330713	BRACKET F. HOSE FIXING
331385	PRE-RINSE HOSE
350778	BRACKET
350817	SUPPORT
380904	FLANGE
420151	WASH ARM
420152	WASH ARM SE COMPL.
450109	CLAMP 50-65
450119	CLAMP FE ZN. 58-75 H=12,2

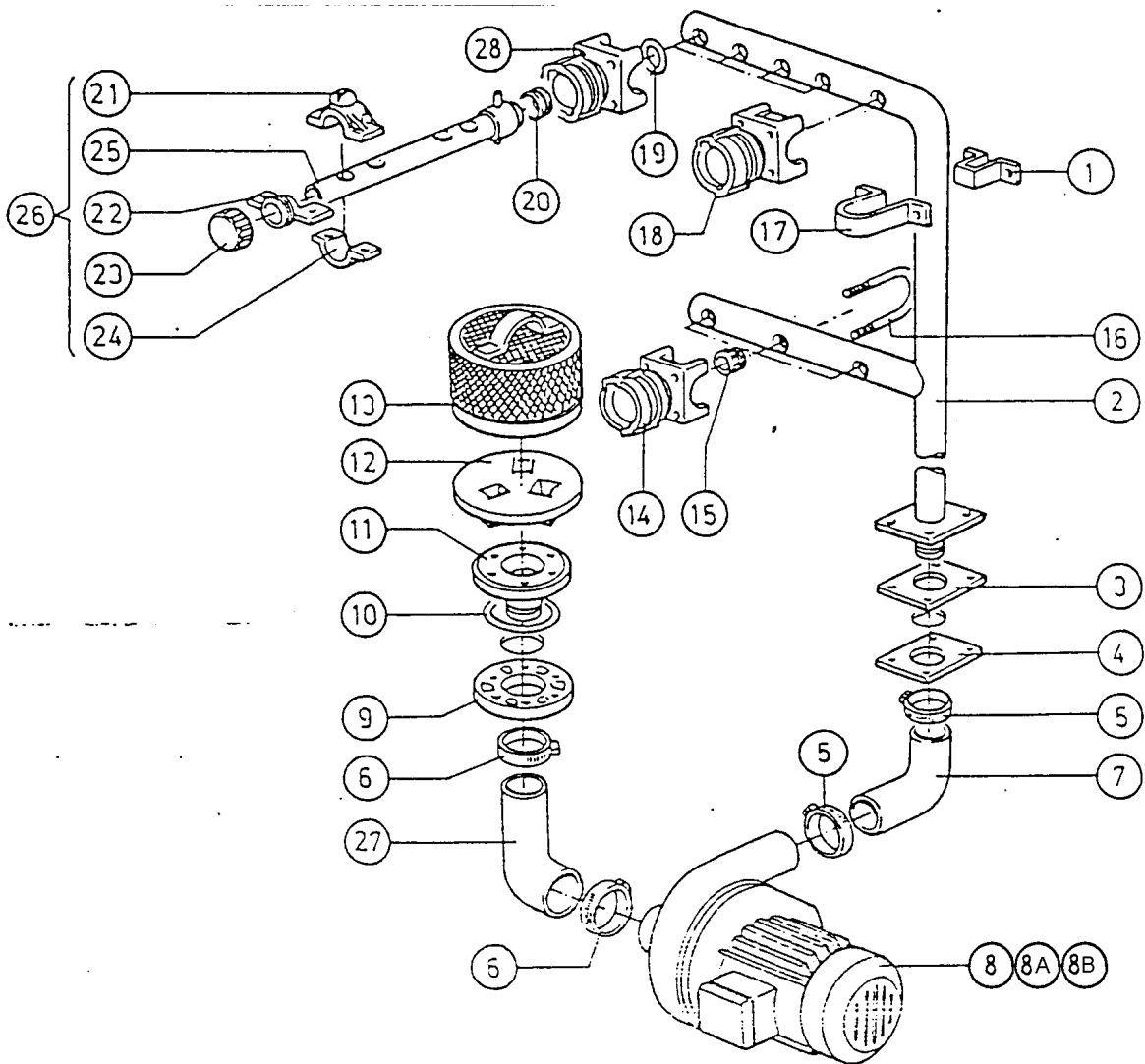
7 - Prewash Column



## 7 - Prewash Column

CODE	DESCRIPTION
100678	PUMP HP 3,5 220/380-50HZ-2243
100679	PUMP HP 3,5 240/415-50HZ-2243
100680	PUMP HP 3,5 F 255/440V/50HZ-1
160724	PLUG F. WASH ARM S90
170910	AXIAL WASH JET
180204	COUNTERFLANGE D.130 SUCTION N
180207	SUCTION FLANGE C33/34
180211	COUNTERFLANGE - WASH JET S-N
180221	COUNTERFLANGE F.WASH ARMS PLUG
190125	LEFT WASHARM SUPPORT SE
190126	RIGHT WASH ARM SUPPORT SE
190127	CENTR. WASH ARM SUPPORT SE
190623	RESTR.D.14 MOPL.S 3ØS PREWAS/P
191012	VOTEX BREAKER S3ØN.L. G65
200423	GASKET TUBE 100X100 HOLE48,5X3
200463	GASKET PRE-WASH/WASH SHORE 45/
200728	WASH.PUMP OUTLET HOSE SE
200745	INLET HOSE WASH. SNL
200805	OR GASKET 2,62X28,24X33,48
200807	O-RING 3,53 X 110,72
330218	TIE ROD SE-NE WASH ARM SUPPORT
330565	FILTER 185X100H SE NE SNL
330713	BRACKET F. HOSE FIXING
331508	HOSE
350778	BRACKET
380904	FLANGE
420151	WASH ARM
420152	WASH ARM SE COMPL.
450109	CLAMP 50-65
450119	CLAMP FE ZN. 58-75 H=12,2

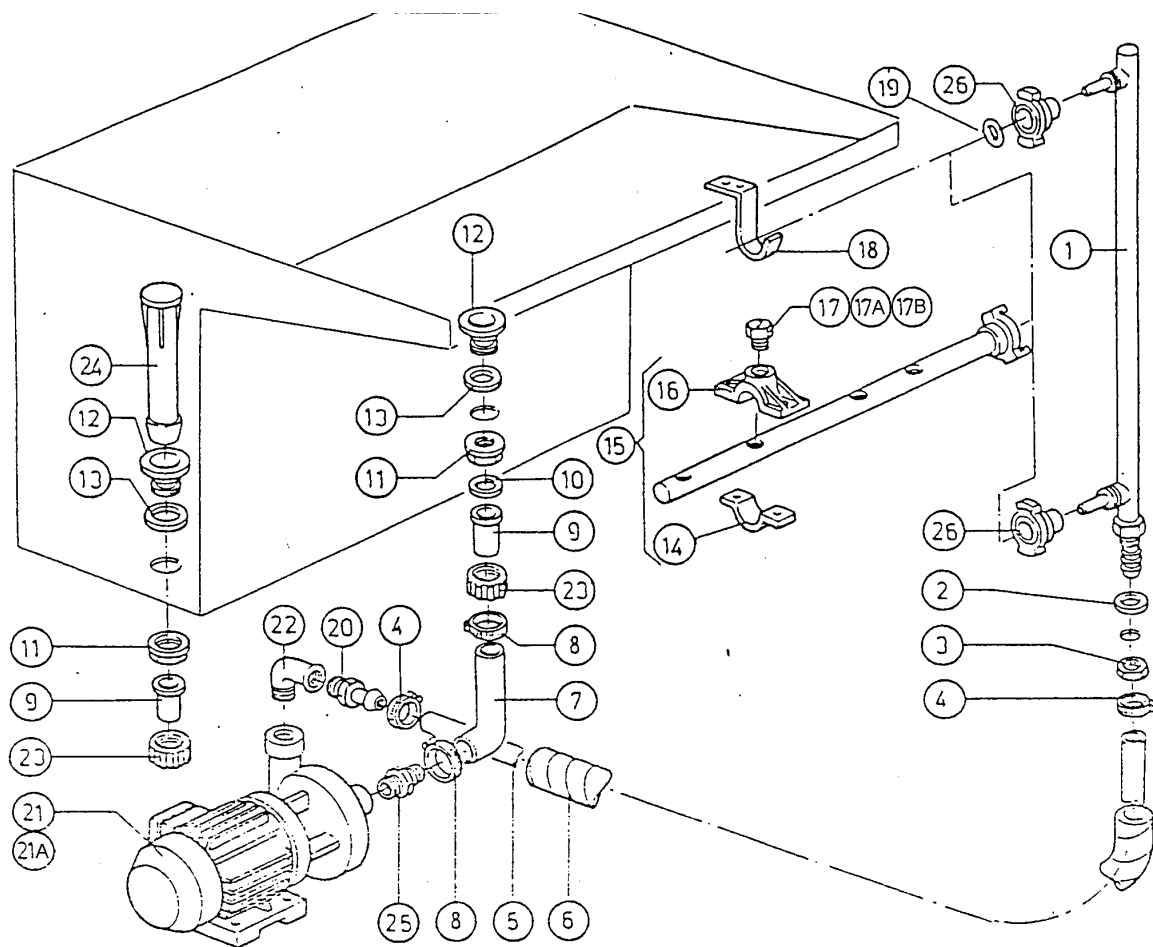
# 8 - Corner Wash Hood



## 8 - Corner Wash Hood

CODE	DESCRIPTION
100678	PUMP HP 3,5 220/380-50HZ-2243
100679	PUMP HP 3,5 240/415-50HZ-2243
100680	PUMP HP 3,5 F 255/440V/50HZ-1
160724	PLUG F. WASH ARM S90
170910	AXIAL WASH JET
180204	COUNTERFLANGE D.130 SUCTION N
180207	SUCTION FLANGE C33/34
180211	COUNTERFLANGE - WASH JET S-N
180221	COUNTERFLANGE F.WASH ARMS PLUG
190125	LEFT WASHARM SUPPORT SE
190126	RIGHT WASH ARM SUPPORT SE
190127	CENTR. WASH ARM SUPPORT SE
190623	RESTR.D.14 MOPL.S 3ØS PREWAS/P
191012	VOTEX BREAKER S3ØN.L. G65
200315	OUTLET HOSE C34-35
200423	GASKET TUBE 100X100 HOLE48,5X3
200463	GASKET PRE-WASH/WASH SHORE 45/
200745	INLET HOSE WASH. SNL
200805	OR GASKET 2,62X28,24X33,48
200807	O-RING 3,53 X 110,72
330218	TIE ROD SE-NE WASH ARM SUPPORT
330565	FILTER 185X100H SE NE SNL
330772	BRACKET
331508	HOSE
350779	BRACKET
380904	FLANGE
420151	WASH ARM
420152	WASH ARM SE COMPL.
450109	CLAMP 50-65
450119	CLAMP FE ZN. 58-75 H=12,2

# 9 - Ecorinse Assembly

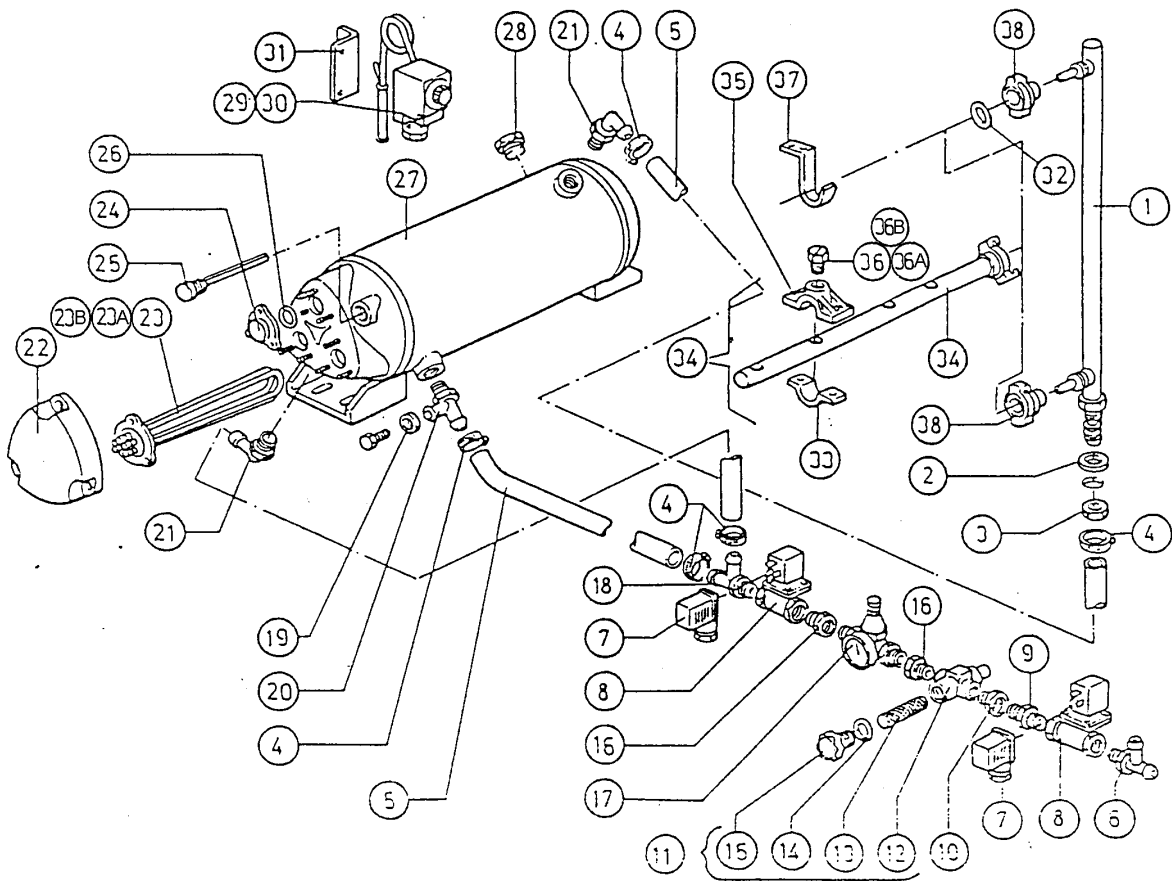


## 9 - Ecorinse Assembly

CODE	DESCRIPTION
100647	PUMP HP 0,20 220/240/3 4226
100648	PUMP HP 0,125 415/3 50HZ C16
160201	ELBOW F.TANK INLET MOPLEN
160301	DRAIN OUTLET 1"1/2 C-S-N
170926	RINSE JET HOLDER S-SE-NE
180102	DRAIN PIPE NUT 1"1/2 F45-55
180109	LOCK NUT 1 1/2"
180213	FLANGE F.JET LOCKING F2-C34
180706	OVERFLOW STANDPIPE S3 - S NEW
200113	RUBBER HOSE 12 X 22
200410	DRAIN OUTL.WASH.1 1/2"65X47X2
200412	GASKET DRAIN 11/2" 45X33X3
200419	RINSE ARM GASKET
200743	INLET HOSE ECORINSE / DRAIN PU
270101	HEXAGON LOCK NUT 1/2"
280115	ELL 1/2"
280203	RINSE ARM COUPLING 1/2"BRASS F
280503	CONNECTIO FOR ECORINSE PUMP
290410	NIPPLE 1/2"
331110	SUPPORT.HOOK F.UPPER RINSE ARM
380321	RINSE JETS OV 1/8" 303 40LT 80
380323	RINSE JETS 37,5 80Ø OV 1/8
380324	RINSE JETS 52,5 80Ø OV1/8"
430130	RINSE ARMS SE-NL-S
430409	RINSE MANIFOLD S3-130-280
450104	CLAMP FE ZN H=12,5 15-24
450107	CLAMP FE ZN 38-50 H=12,2
460502	GASKET 30X21X2
700813	-GUAINE ISOL.POLISOLAN-700808



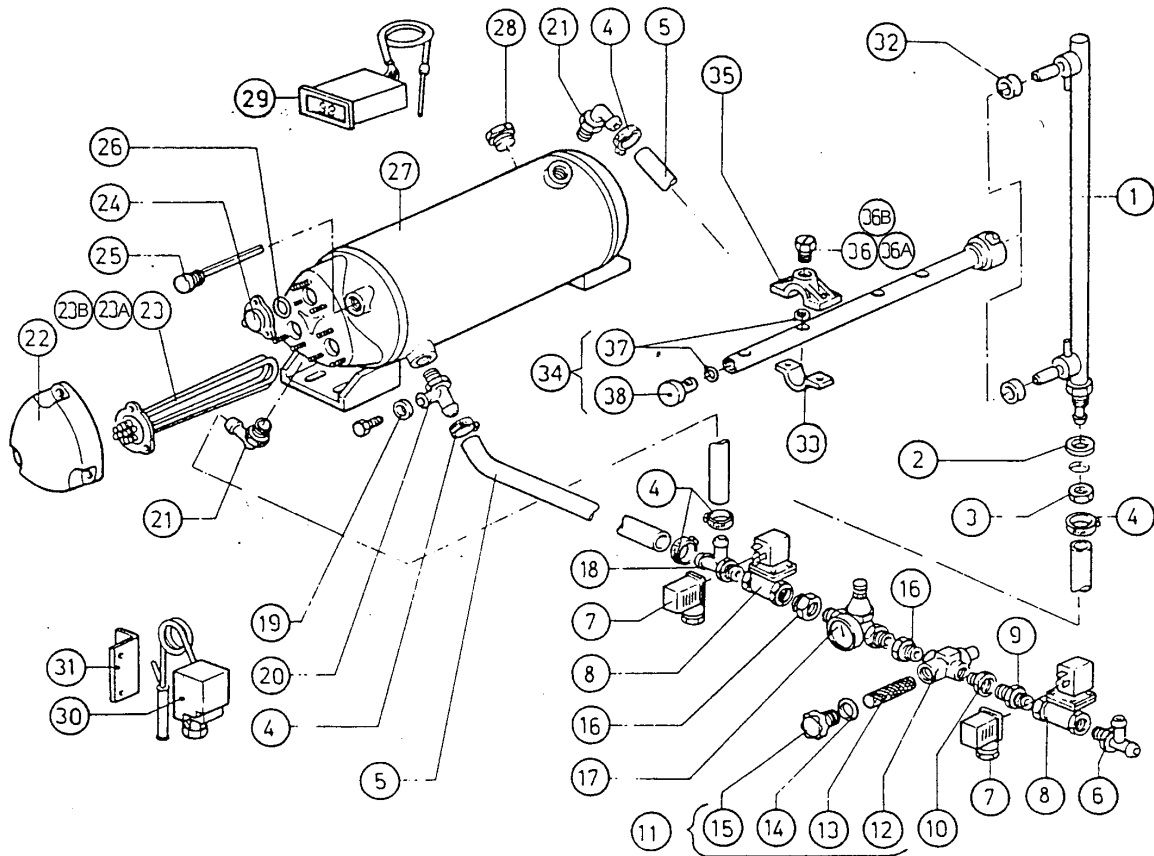
10 - Rinse assembly



## 10 - Rinse assembly

CODE	DESCRIPTION
110343	HEAT.ELEM. 8000W 220/380V
110349	HEAT.ELEMENT 6000W 230/400V
110362	HEAT.ELEMENT 9000W 220/380V
120131	SOLEN. L182Q31-ZB10A 1/2"24V
120512	THERMOSTAT IM50/210Ø
120515	THERMOSTAT 0-90ØC
150034	CONNEC.F.SOLEN.VALVE 122.09.N
160709	KNOB OF MANIFOLD F. SOLEN. VAL
160805	GASKET D.8
161113	ELMENT COVER BLACK
170926	RINSE JET HOLDER S-SE-NE
180213	FLANGE F.JET LOCKING F2-C34
200113	RUBBER HOSE 12 X 22
200419	RINSE ARM GASKET
200814	O-RING 34,52X41,58X3,53
200815	O-RING F. HEAT.ELEM.
270101	HEXAGON LOCK NUT 1/2"
280203	RINSE ARM COUPLING 1/2"BRASS F
280504	MANIFOLD CONN.HOSE
281102	1/2" ADJ VALVE C/W GAUGE TYPE
290105	BRASS-TE-PLUG 1/2"
290215	1/2"BSP M/F UNION BRASS
330322	INSULATED BOILER D.230 N/S
330526	FILTERS 22X28 SOLENOID V.MANIF
330910	FLANGE
331110	SUPPORT.HOOK F.UPPER RINSE ARM
350737	BRACKET FOR CLOSED THERMOSTATS
380321	RINSE JETS OV 1/8" 303 40LT 80
380323	RINSE JETS 37,5 80Ø OV 1/8
380324	RINSE JETS 52,5 80Ø OV1/8"
430130	RINSE ARMS SE-NL-S
430409	RINSE MANIFOLD S3-130-280
450104	CLAMP FE ZN H=12,5 15-24
450516	THERMOSTAT SHIELD FOR 2 TERMOS
460502	GASKET 30X21X2
510285	SOLENOID VALVE MANIFOLD - BRAS
510290	RINSE CONNECT.HOSE C34
510403	CONNECT.HOSE 90Ø1/2"X12
510404	"T" CONNECTION HOSE 1/2"
510407	NIPPLE FOR BOILER N S
620121	TWIN SOLENOID VALVE MANIFOLD

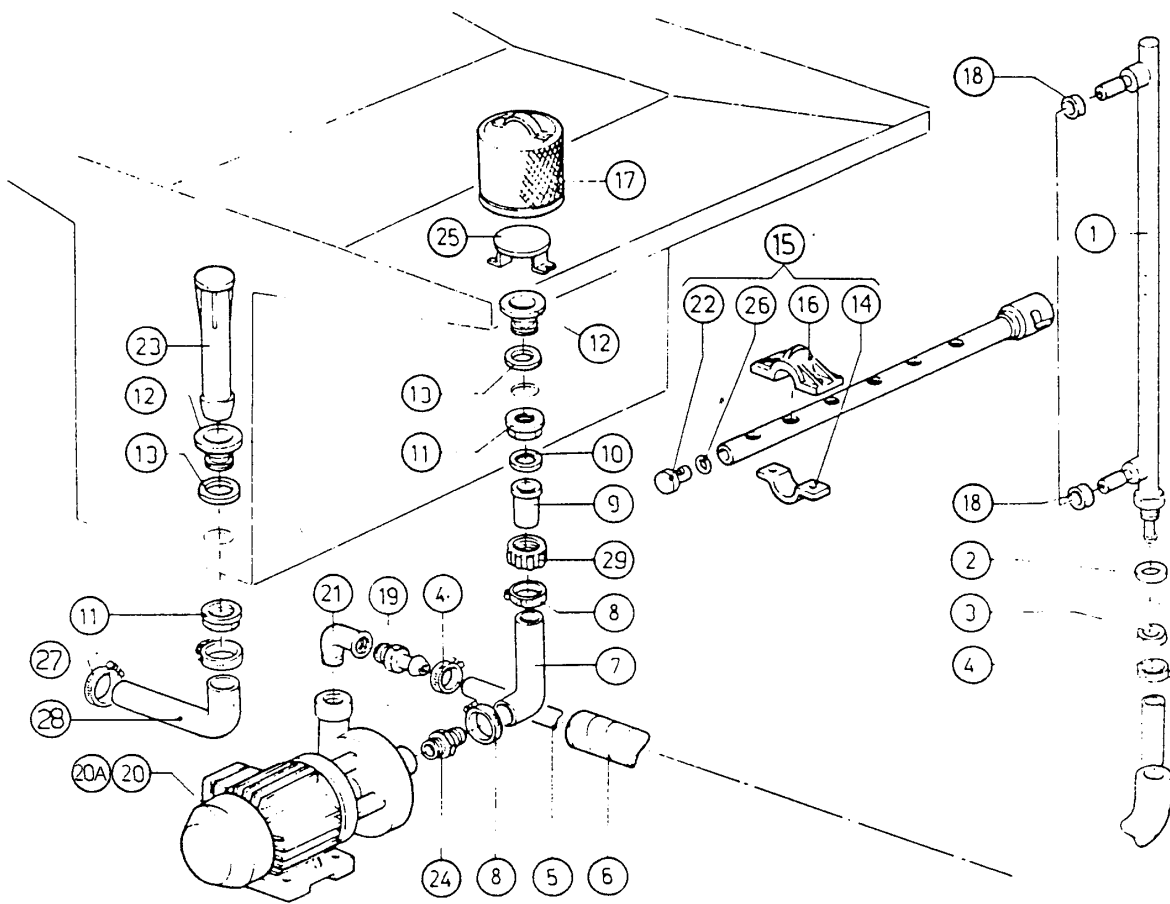
11 - Rinse assembly



## 11 - Rinse assembly

CODE	DESCRIPTION
110343	HEAT.ELEM. 8000W 220/380V
110349	HEAT.ELEMENT 6000W 230/400V
110362	HEAT.ELEMENT 9000W 220/380V
120131	SOLE. L182Q31-ZB10A 1/2"24V
120520	SECURITY THERMOSTAT 110-130Ø
150034	CONNec.F.SOLEN.VALVE 122.09.N
160709	KNOB OF MANIFOLD F. SOLEN. VAL
160754	PLUG FOR RINSE ARMS SE NE
160805	GASKET D.8
161113	ELEMENT COVER BLACK
170926	RINSE JET HOLDER S-SE-NE
180213	FLANGE F.JET LOCKING F2-C34
200113	RUBBER HOSE 12 X 22
200480	GASKET F. RINSE CONNECT.
200814	O-RING 34,52X41,58X3,53
200815	O-RING F. HEAT.ELEM.
200824	O-RING 1,78X12,42X15,98
270101	HEXAGON LOCK NUT 1/2"
280504	MANIFOLD CONN.HOSE
281102	1/2" ADJ VALVE C/W GAUGE TYPE
290105	BRASS-TE-PLUG 1/2"
290215	1/2"BSP M/F UNION BRASS
330322	INSULATED BOILER D.230 N/S
330526	FILTERS 22X28 SOLENOID V.MANIF
330910	FLANGE
350737	BRACKET FOR CLOSED THERMOSTATS
380321	RINSE JETS OV 1/8" 303 40LT 80
380323	RINSE JETS 37.5 80Ø OV 1/8
380324	RINSE JETS 52,5 80Ø OV1/8"
430136	RINSE ARM S-SE-SE/1
430413	RINSE COLUMN SE-ACR
450104	CLAMP FE ZN H=12,5 15-24
450516	THERMOSTAT SHIELD FOR 2 TERMOS
450910	SEE 450911
460502	GASKET 30X21X2
510285	SOLENOID VALVE MANIFOLD - BRAS
510290	RINSE CONNECT.HOSE C34
510403	CONNECT.HOSE 90Ø1/2"X12
510404	"T" CONNECTION HOSE 1/2"
510407	NIPPLE FOR BOILER N S
620121	TWIN SOLENOID VALVE MANIFOLD

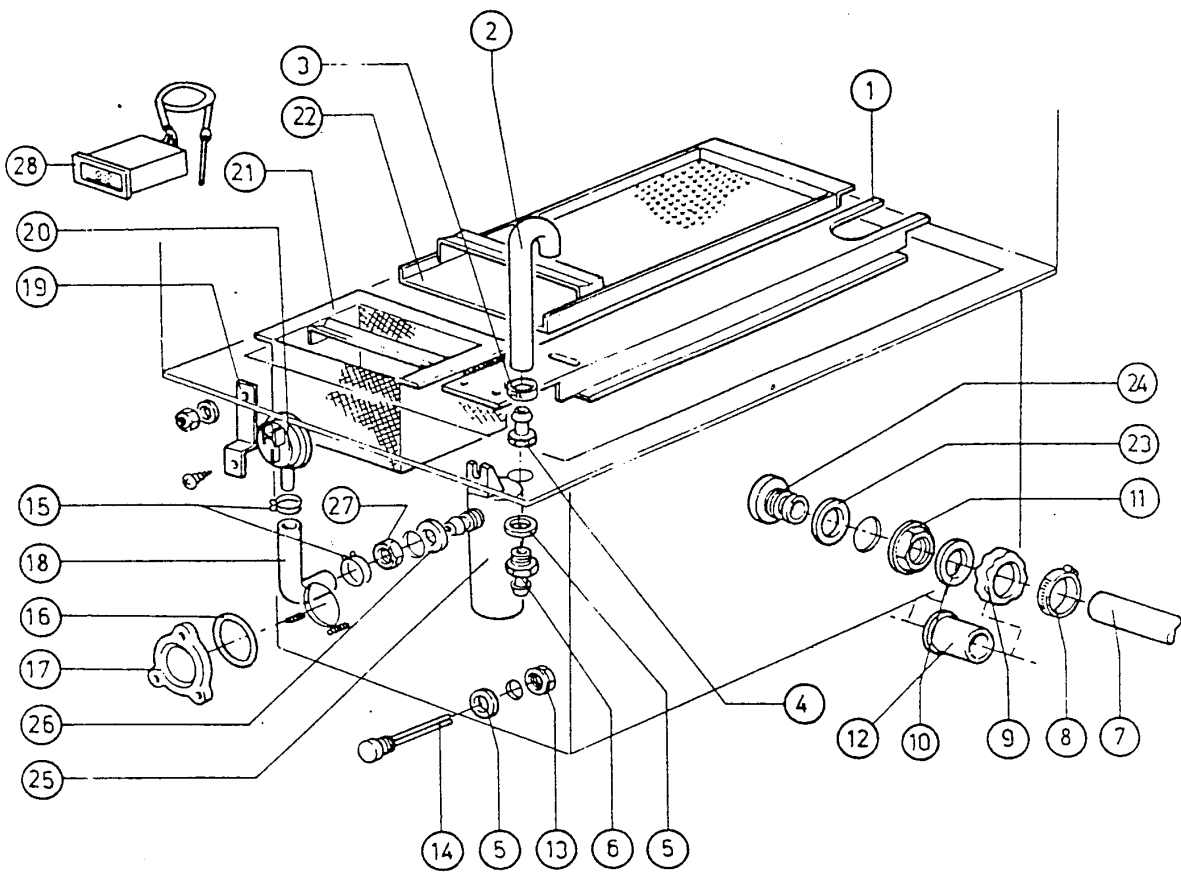
# 12 - Ecorinse Assembly



## 12 - Ecorinse Assembly

CODE	DESCRIPTION
100647	PUMP HP 0,20 220/240/3 4226
100648	PUMP HP 0,125 415/3 50HZ C16
160201	ELBOW F.TANK INLET MOPLEN
160301	DRAIN OUTLET 1"1/2 C-S-N
160754	PLUG FOR RINSE ARMS SE NE
170954	JET FOR ECORINSE ARM
180102	DRAIN PIPE NUT 1"1/2 F45-55
180109	LOCK NUT 1 1/2"
180213	FLANGE F.JET LOCKING F2-C34
200113	RUBBER HOSE 12 X 22
200410	DRAIN OUTL.WASH.1 1/2"65X47X2
200412	GASKET DRAIN 11/2" 45X33X3
200480	GASKET F. RINSE CONNECT.
200743	INLET HOSE ECORINSE / DRAIN PU
200752	DRAIN HOSE FOR ECORINSE
200824	O-RING 1,78X12,42X15,98
270101	HEXAGON LOCK NUT 1/2"
280115	ELL 1/2"
280503	CONNECTIO FOR ECORINSE PUMP
290410	NIPPLE 1/2"
320130	VORTEX BREAKER FOR ECORINSE PU
330566	FILTER 110 FOR ECORINSE TANK
380818	OVERFLOW TUBE FOR ECORINSE SE
430137	ECORINSE ARM SE-SE/1
430413	RINSE COLUNM SE-ACR
450104	CLAMP FE ZN H=12,5 15-24
450106	CLAMP FE ZN 32-44 H=12,2
450107	CLAMP FE ZN 38-50 H=12,2
460502	GASKET 30X21X2
700813	-GUAINE ISOL.POLISOLAN-700808

### 13 - Prewash tank components

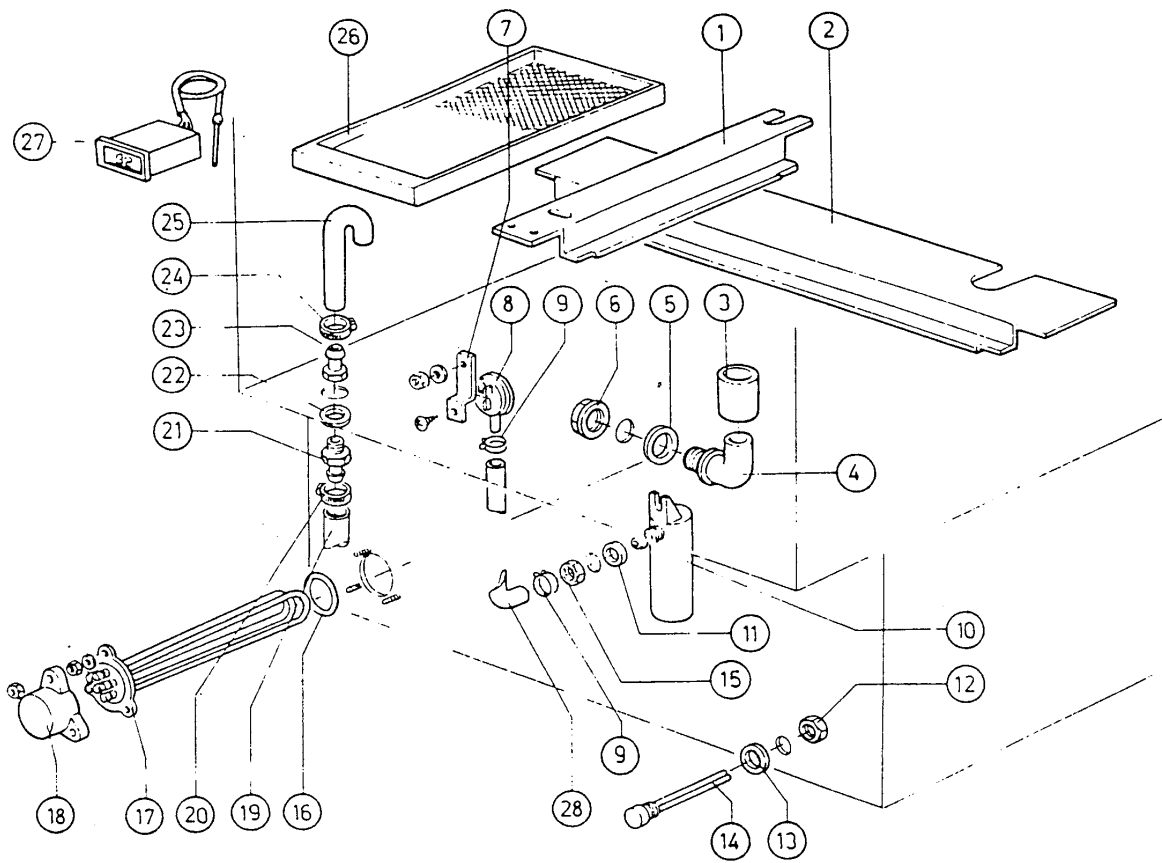


### 13 - Prewash tank components

CODE	DESCRIPTION
130609	1 LEVEL PRESSURE SWITCH 110-70
160201	ELBOW F.TANK INLET MOPLN
160301	DRAIN OUTLET 1"1/2 C-S-N
161301	AIR TRAP F2 C34-F45
180102	DRAIN PIPE NUT 1"1/2 F45-55
180109	LOCK NUT 1 1/2"
200120	RUBBER HOSE 35X48
200301	HOSE FOR TANK INLET N-S
200353	PRESS.SWITCH HOSE B23-10-1-2-C
200410	DRAIN OUTL.WASH.1 1/2"65X47X2
200412	GASKET DRAIN 11/2" 45X33X3
200415	AIR TRAP GASKET -F2 18,5X10X3
200815	O-RING F. HEAT.ELEM.
251200	S/S NIPPLE 1/2"
251201	S/S NIPPLE 1/2"
260407	STAINLESS STEEL NUTS D10 UNI 5
270101	HEXAGON LOCK NUT 1/2"
321038	CROSS PART F.FILTER SUPP.
330557	FLAT FILTER PRE-WASH.SE
330561	FILTER DRAWER PRE-WASH.S2900-S
330910	FLANGE
350774	BRACKET
450101	STAINLESS STEEL CLAMP 15-24 H=
450107	CLAMP FE ZN 38-50 H=12,2
450125	ELASTIC CLAMP D. 10,4X9,8
450516	THERMOSTAT SHIELD FOR 2 TERMOS
450910	SEE 450911
460502	GASKET 30X21X2



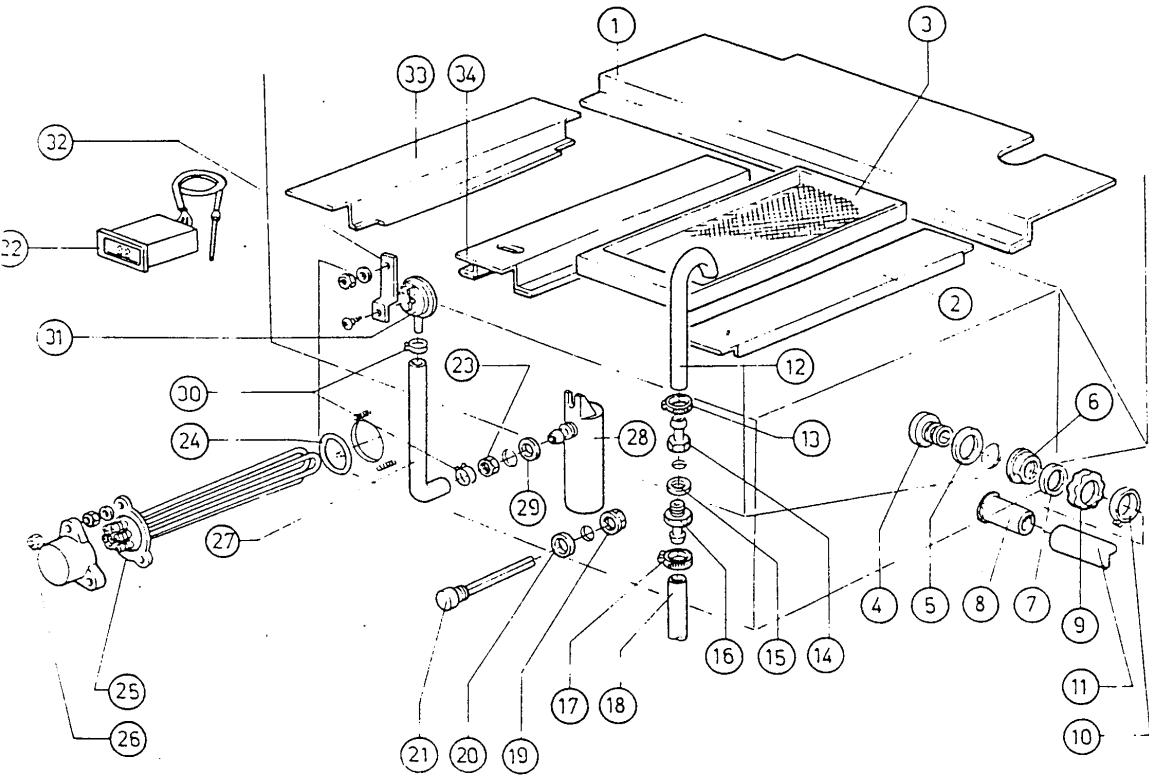
## 14 - Wash Tank Components



## 14 - Wash Tank Components

CODE	DESCRIPTION
110362	HEAT.ELEMENT 9000W 220/380V
130609	1 LEVEL PRESSURE SWITCH 110-70
160114	ADJUST.OVERFLOW-PIPE/TANKS S3Ø
161102	ELEMENT COVER MOPL.
161301	AIR TRAP F2 C34-F45
180109	LOCK NUT 1 1/2"
190308	OVERFLOW CONNECTOR
200113	RUBBER HOSE 12 X 22
200301	HOSE FOR TANK INLET N-S
200353	PRESS.SWITCH HOSE B23-10-1-2-C
200410	DRAIN OUTL.WASH.1 1/2"65X47X2
200415	AIR TRAP GASKET -F2 18,5X10X3
200815	O-RING F. HEAT.ELEM.
251200	S/S NIPPLE 1/2"
251201	S/S NIPPLE 1/2"
260407	STAINLESS STEEL NUTS D10 UNI 5
270101	HEXAGON LOCK NUT 1/2"
321039	SUPPORT
321045	SUPPORT
330555	WASH FILTER SE-S2200-2900
350774	BRACKET
450101	STAINLESS STEEL CLAMP 15-24 H=
450104	CLAMP FE ZN H=12,5 15-24
450125	ELASTIC CLAMP D. 10,4X9,8
450516	THERMOSTAT SHIELD FOR 2 TERMOS
450910	SEE 450911
460502	GASKET 30X21X2

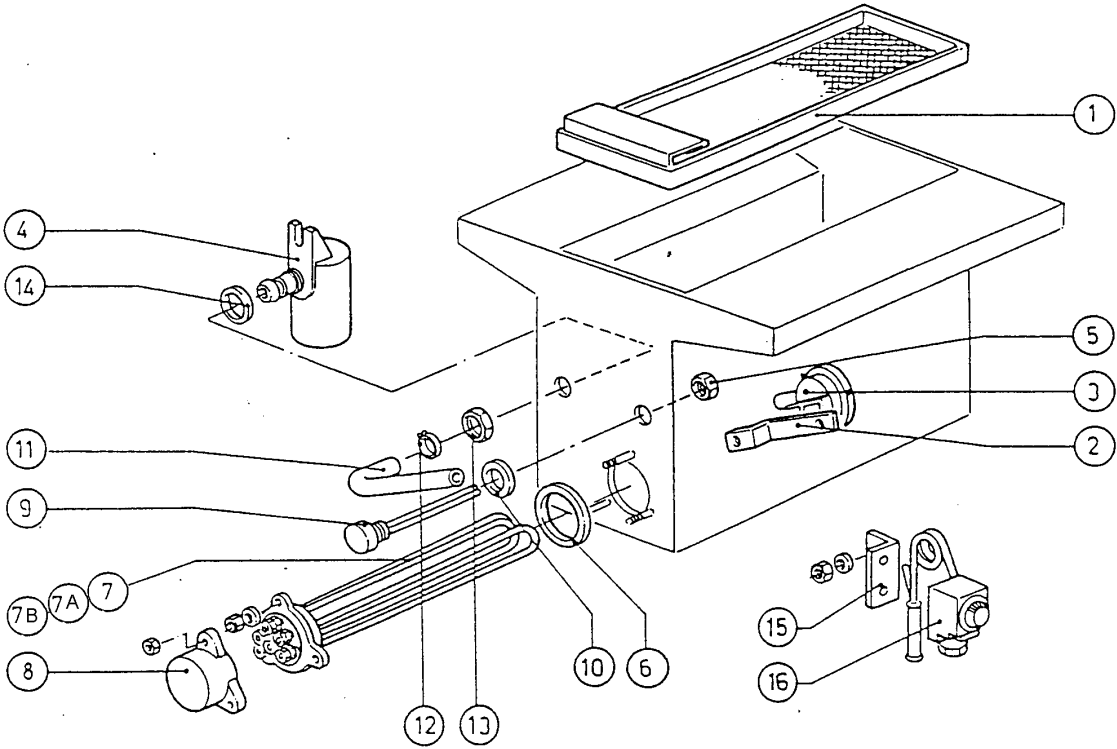
15 - Corner Wash Tank Components



## 15 - Corner Wash Tank Components

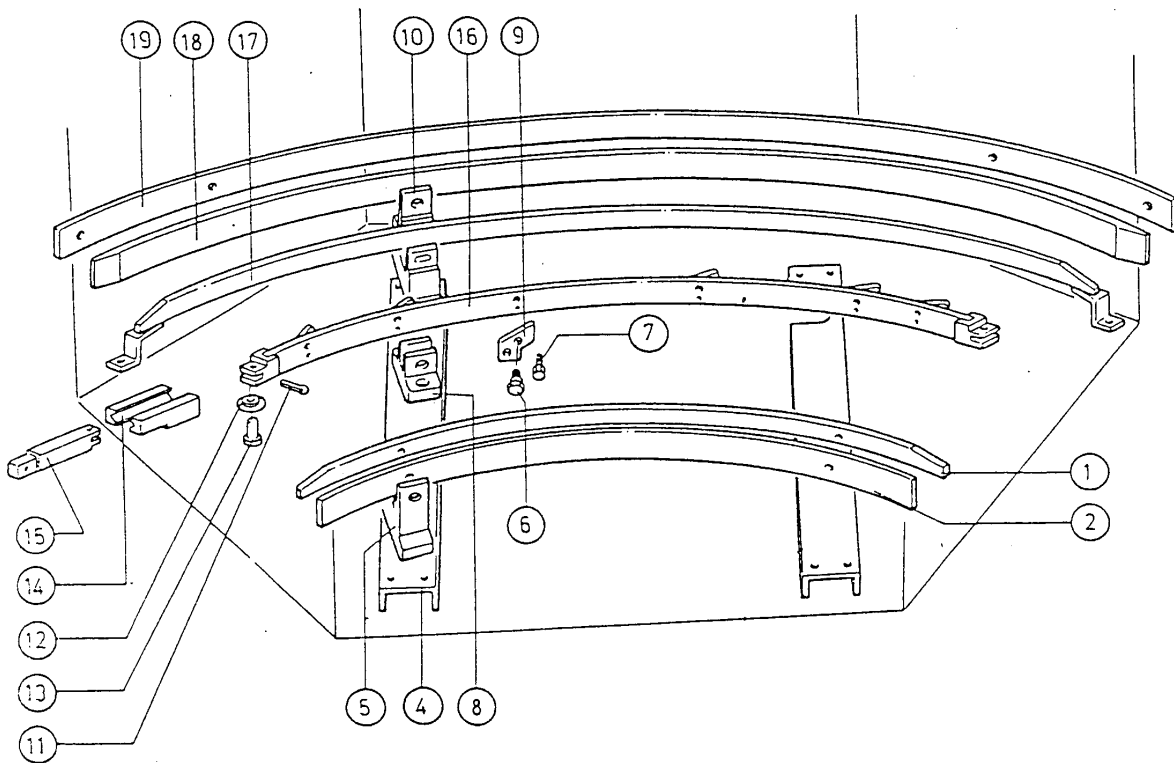
CODE	DESCRIPTION
110362	HEAT.ELEMENT 9000W 220/380V
130609	1 LEVEL PRESSURE SWITCH 110-70
160201	ELBOW F.TANK INLET MOPLN
160301	DRAIN OUTLET 1"1/2 C-S-N
161102	ELEMENT COVER MOPL.
161301	AIR TRAP F2 C34-F45
180102	DRAIN PIPE NUT 1"1/2 F45-55
180109	LOCK NUT 1 1/2"
200113	RUBBER HOSE 12 X 22
200120	RUBBER HOSE 35X48
200301	HOSE FOR TANK INLET N-S
200353	PRESS.SWITCH HOSE B23-10-1-2-C
200410	DRAIN OUTL.WASH.1 1/2"65X47X2
200412	GASKET DRAIN 11/2" 45X33X3
200415	AIR TRAP GASKET -F2 18,5X10X3
200815	O-RING F. HEAT.ELEM.
251200	S/S NIPPLE 1/2"
251201	S/S NIPPLE 1/2"
260407	STAINLESS STEEL NUTS D10 UNI 5
270104	LOCK NUT 1" 1/2
321042	SUPPORT
321043	CROSS PART F.FILTER SUPP.
321044	SUPPORT
330555	WASH FILTER SE-S2200-2900
350774	BRACKET
450101	STAINLESS STEEL CLAMP 15-24 H=
450104	CLAMP FE ZN H=12,5 15-24
450107	CLAMP FE ZN 38-50 H=12,2
450125	ELASTIC CLAMP D. 10,4X9,8
450516	THERMOSTAT SHIELD FOR 2 TERMOS
450910	SEE 450911
460502	GASKET 30X21X2

16 - ecorinse tank components



**16 - ecorinse tank components**

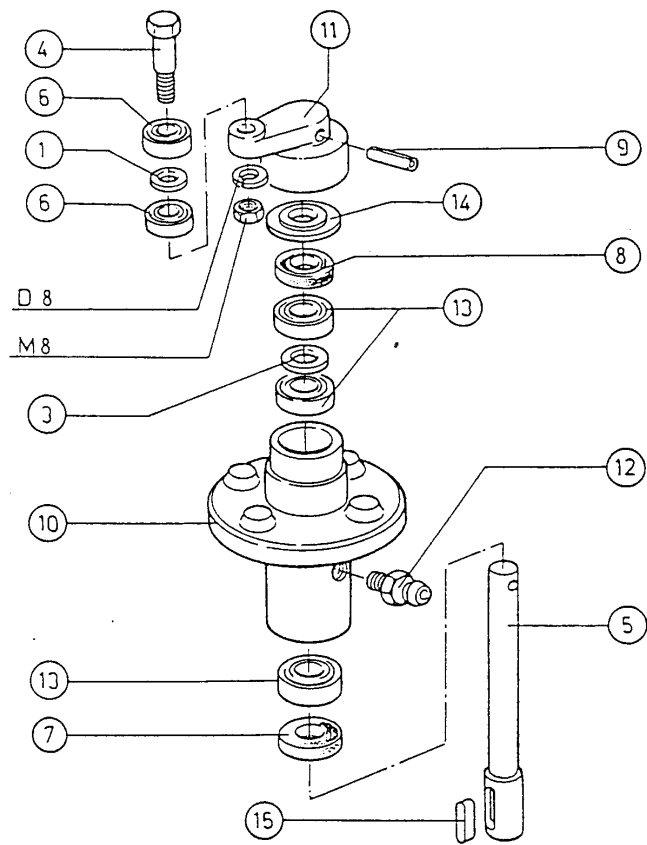
<b>CODE</b>	<b>DESCRIPTION</b>
110226	HEAT. ELEMENT 3000W 230/400V
110331	HEAT.ELEMENT 4200W 230/400V
110371	HEAT.ELEMENT 5000W 220/380V
120515	THERMOSTAT 0-90°C
130605	PRESSURE SWITCH 50-30 1 LEVEL
161102	ELEMENT COVER MOPL.
161303	AIR TRAP GLASSWASHER
200353	PRESS.SWITCH HOSE B23-10-1-2-C
200415	AIR TRAP GASKET -F2 18,5X10X3
200815	O-RING F. HEAT.ELEM.
260407	STAINLESS STEEL NUTS D10 UNI 5
270101	HEXAGON LOCK NUT 1/2"
330567	STANDARD RINSE FILTER SE
350737	BRACKET FOR CLOSED THERMOSTATS
350774	BRACKET
450125	ELASTIC CLAMP D. 10,4X9,8
450516	THERMOSTAT SHIELD FOR 2 TERMOS
460502	GASKET 30X21X2



## 17 - Corner Wash Guide

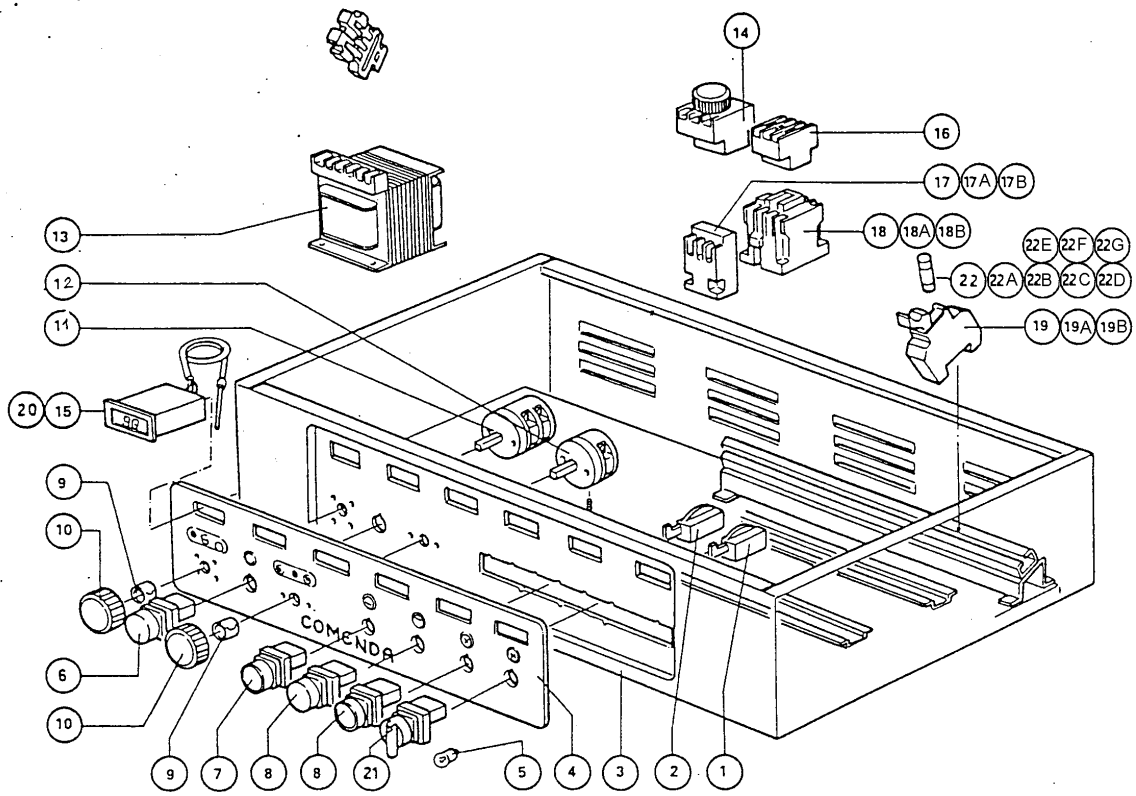
<b>CODE</b>	<b>DESCRIPTION</b>
170313	FRICTION PAD
170325	INT. GUIDE SUPPORT SE CORNER
170326	EXT.GUIDE SUPPORT SE CORNER
191017	ANTIFRICT.COVER F.EXT.GUIDE CO
261007	SPECIAL SCREW 5M
320883	GUIDE HINGE ACR
321024	SUPPORT
321752	GUIDE
321753	GUIDE
321754	GUIDE
321755	GUIDE
321756	GUIDE
340410	PAWL PINS (WASH) STAINLESS STE
341235	PIVOT PIN SE
440108	WHEEL F.CENTRAL SLIDING
451002	COTTER PIN STAINL.ST. D2X12
500252	PAWLS FOR WASHING /ACR CORNER
510302	GUIDE FOR WHEEL SE





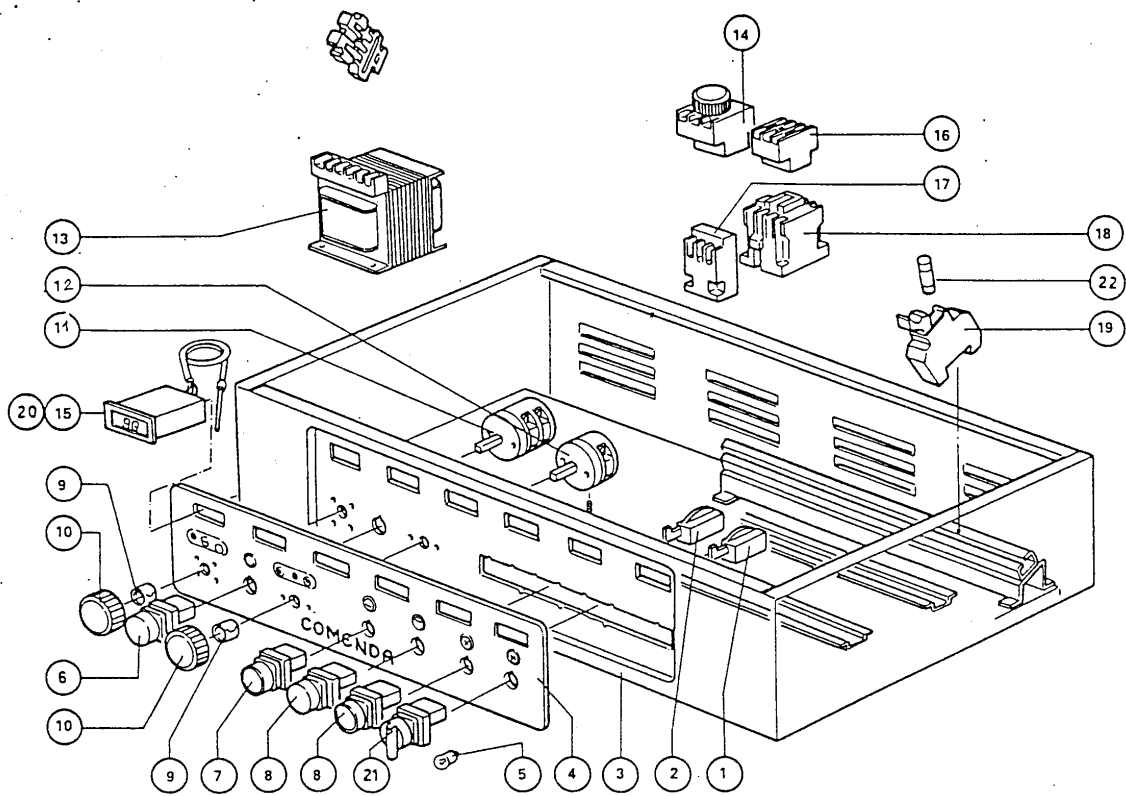
**18 - Drive unit**

<b>CODE</b>	<b>DESCRIPTION</b>
260532	SLIDING WASHER S3ØSTAINLESS ST
290813	PACKING PIECES BRASS S-F2
290815	DISTANCE PIECE S3Ø BRASS
340443	CRANK SHOULDER PIN
340494	DRIVE SHAFT S 3Ø
410115	BALL BEARING 32X12X10 B23/S/S9
410120	BALL BEARING 17X35X10
440407	SEAL MIM 20X35X7
440408	SEAL MIM 17X35X7
441122	DRIVE SHAFT KEY 6X6X25 UNI 660
451121	ELAST.ROLL PINS 6X30
510298	DRIVE HOUSING S 3Ø
510299	NICKELPLATED BRASS DRIVE CRANK
631701	GREASE NIPPLE 9003



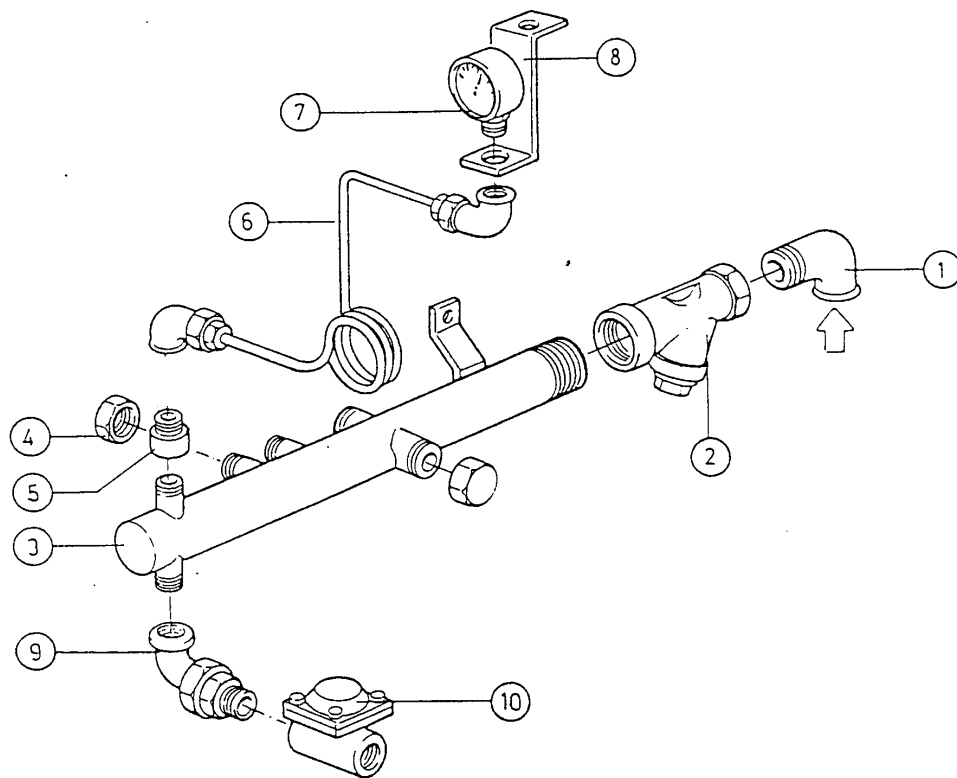
19 - Control Box

CODE	DESCRIPTION
110805	SWITCH THREEPOLE
120428	CONTACTOR 9A 24V 50HZ
120429	CONTACTOR 12A 24V 50HZ
120431	CONTACTOR 40A 24V 50HZ
120635	TRANSFORMER 400VA220-240-380-4
120718	SWITCH 25 AMP FOUR-POLE 500V
120721	SELECT.SWITCHRM300N-SHORT KNOB
120820	OVERLOAD RELAY 0,63-1A
120823	OVERLOAD RELAY 2.5/4 A
120825	OVERLOAD RELAY 5,5/8 A
130138	LIGHT WITH BAYONET COUPLING 3W
130230	FUSE 10,3X38 4A AM13004
130231	FUSE 10,3X38 6A AM13006
130232	FUSE 10.3X38 8A AM13008
130234	FUSE 10.3X38 12A AM13012
130237	FUSE 14X51 32A GL14332
130238	FUSE 14X51 40A GF 14340
130239	FUSE 22X58 63A GF15363
130247	FUSE 10.3X38 16A GF13316
130410	STOP CONTACT F40 CN RED
130411	START CONTACT YELLOW
130413	GREEN PUSH BUTTON
130911	CONTACT LA1 D40 A65
130912	TIMER CONTACT 0,1/30SEC. LA3D2
150106	LAMP GREEN 22X5
150107	TRANSPARENT LAMP 22X5
150710	FUSE CARRIER 10,3X38 ART.21401
150711	FUSE CARRIER 14X51 ART.21501
150712	FUSE CARRIER 22X58 ART.21601
180120	BLACK KNOBS WITH SQUARE CONNE
321544	BOX FOR CONTROL PANEL
440817	SNAP RING LSCB/1853/17/00
450909	DIGITAL THERMOMETER T50 V.24
450910	SEE 450911
460793	LABEL (460863)



## 20 - Control Box

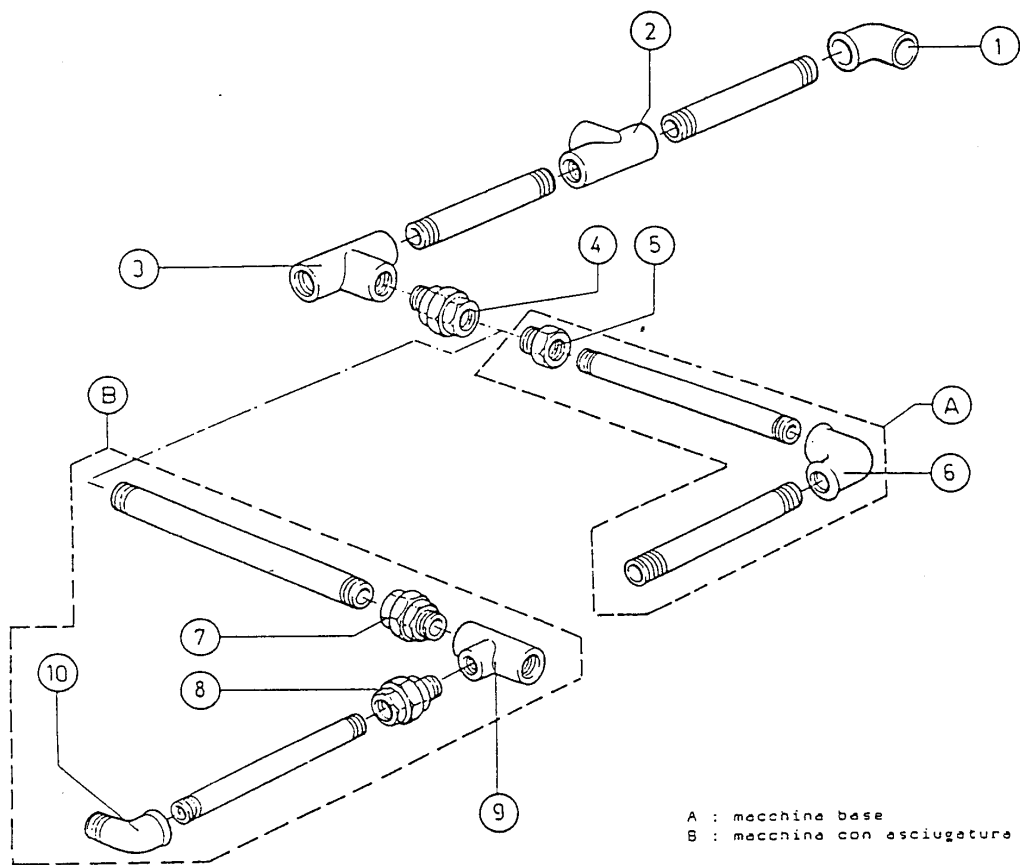
CODE	DESCRIPTION
110805	SWITCH THREEPOLE
120428	CONTACTOR 9A 24V 50HZ
120429	CONTACTOR 12A 24V 50HZ
120431	CONTACTOR 40A 24V 50HZ
120635	TRANSFORMER 400VA220-240-380-4
120718	SWITCH 25 AMP FOUR-POLE 500V
120721	SELECT.SWITCHRM300N-SHORT KNOB
120820	OVERLOAD RELAY 0,63-1A
120823	OVERLOAD RELAY 2.5/4 A
120825	OVERLOAD RELAY 5,5/8 A
130138	LIGHT WITH BAYONET COUPLING 3W
130230	FUSE 10,3X38 4A AM13004
130231	FUSE 10,3X38 6A AM13006
130232	FUSE 10.3X38 8A AM13008
130234	FUSE 10.3X38 12A AM13012
130237	FUSE 14X51 32A GL14332
130238	FUSE 14X51 40A GF 14340
130239	FUSE 22X58 63A GF15363
130247	FUSE 10.3X38 16A GF13316
130410	STOP CONTACT F40 CN RED
130411	START CONTACT YELLOW
130413	GREEN PUSH BUTTON
130911	CONTACT LA1 D40 A65
130912	TIMER CONTACT 0,1/30SEC. LA3D2
150106	LAMP GREEN 22X5
150107	TRANSPARENT LAMP 22X5
150710	FUSE CARRIER 10,3X38 ART.21401
150711	FUSE CARRIER 14X51 ART.21501
150712	FUSE CARRIER 22X58 ART.21601
180120	BLACK KNOBS WITH SQUARE CONNE
321544	BOX FOR CONTROL PANEL
440817	SNAP RING LSCB/1853/17/00
450911	DIGITAL THERMOSTAT MTR10P 24/5
450912	DIGIT.THERMOMETER MT10P V24/50
460793	LABEL (460863)



21 - Steam entry

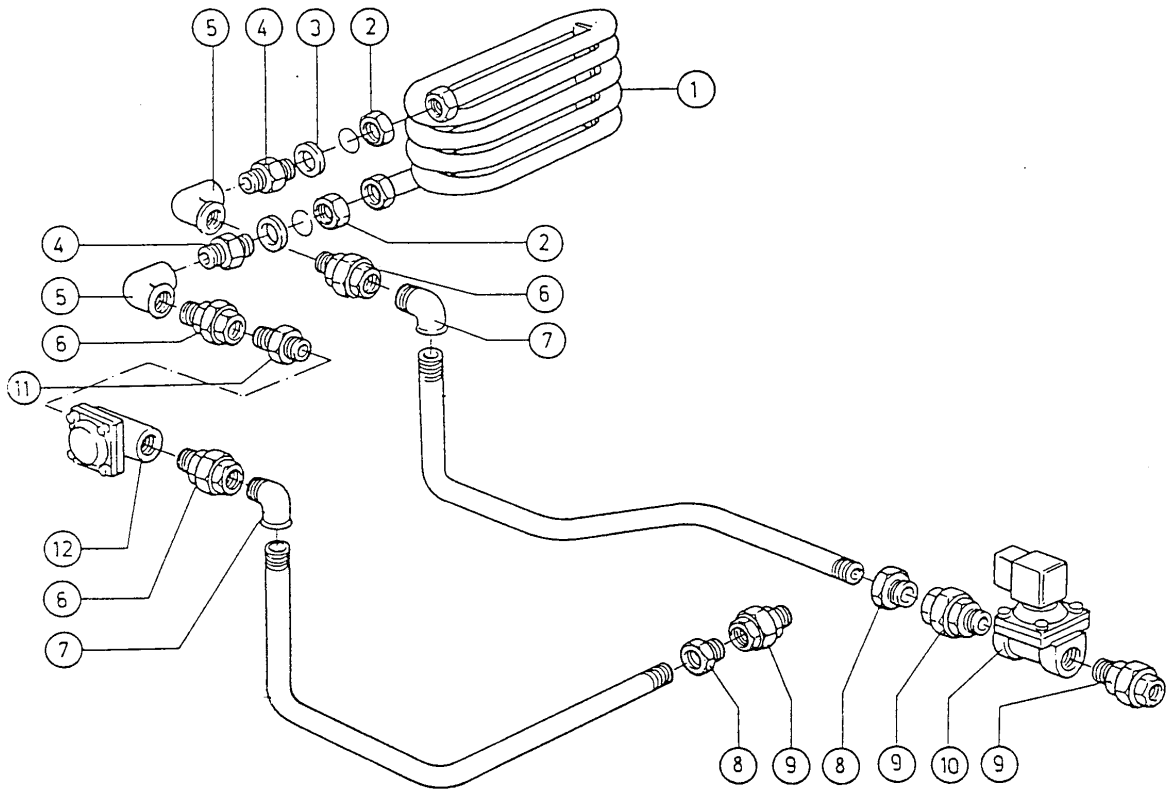
<b>CODE</b>	<b>DESCRIPTION</b>
300413	ELL MF 1 1/2"
300610	PIPE UNION 1/2"
300815	NIPPLE 1/2"-1/4" FM
310404	COVER
310605	STRAINER JU 1 1/2" MOD.45
310702	STEAM TRAP 1/2" MK 25/3
350764	BRACKET
381404	HOSE STEAM GAUGE
400575	STAINLESS STEEL STEAM MANIFOLD
441401	PRESSURE GAUGE 60 SCALO-4CR1/4





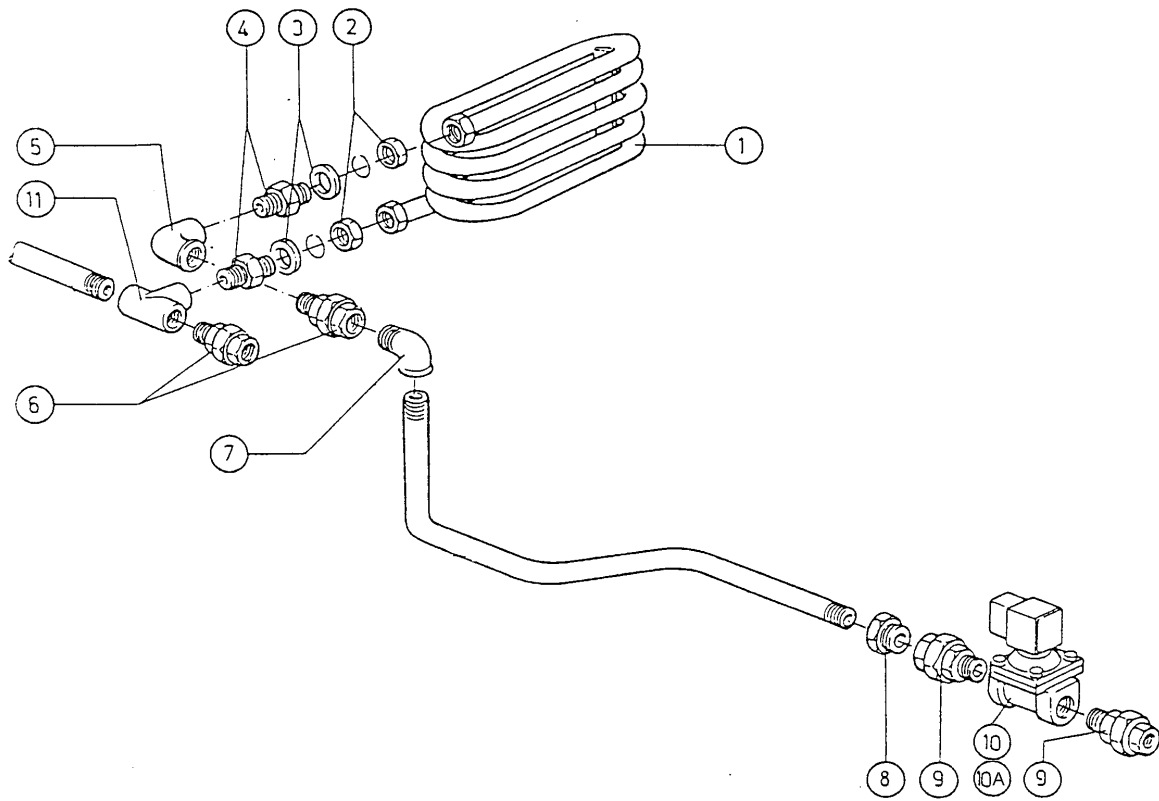
22 - Condenser drain

CODE	DESCRIPTION
300402	ELL FF 1/2"
300403	ELL FF 3/4"
300409	ELL MF 1/2"
300601	PIPE UNION 1/2"
300602	PIPE UNION 3/4"
300903	TEE 3/4"
300917	NIPPLE "T"
310302	NIPPLE 3/4"-1/2"



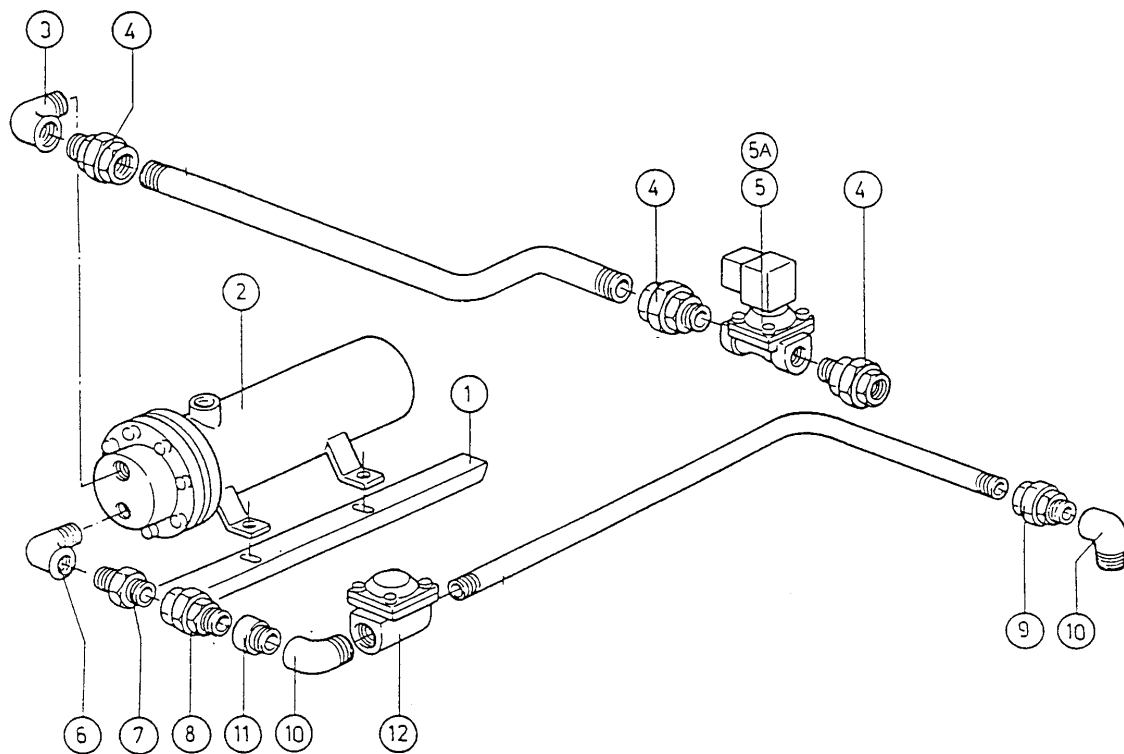
23 - Tank steam se2700-3900

CODE	DESCRIPTION
120147	SOLENOID VALVE STEAM 3/4"
240716	STEAM COIL G66-S3
270102	LOCK NUT 3/4"
280512	STEAM COIL CONNECTION
300209	NIPPLE 1/2" C/ESA
300402	ELL FF 1/2"
300409	ELL MF 1/2"
300601	PIPE UNION 1/2"
300602	PIPE UNION 3/4"
310302	NIPPLE 3/4"-1/2"
310702	STEAM TRAP 1/2" MK 25/3
460503	SEALING WASHER 38X27X2(3/4)



24 - Tank steam se5400

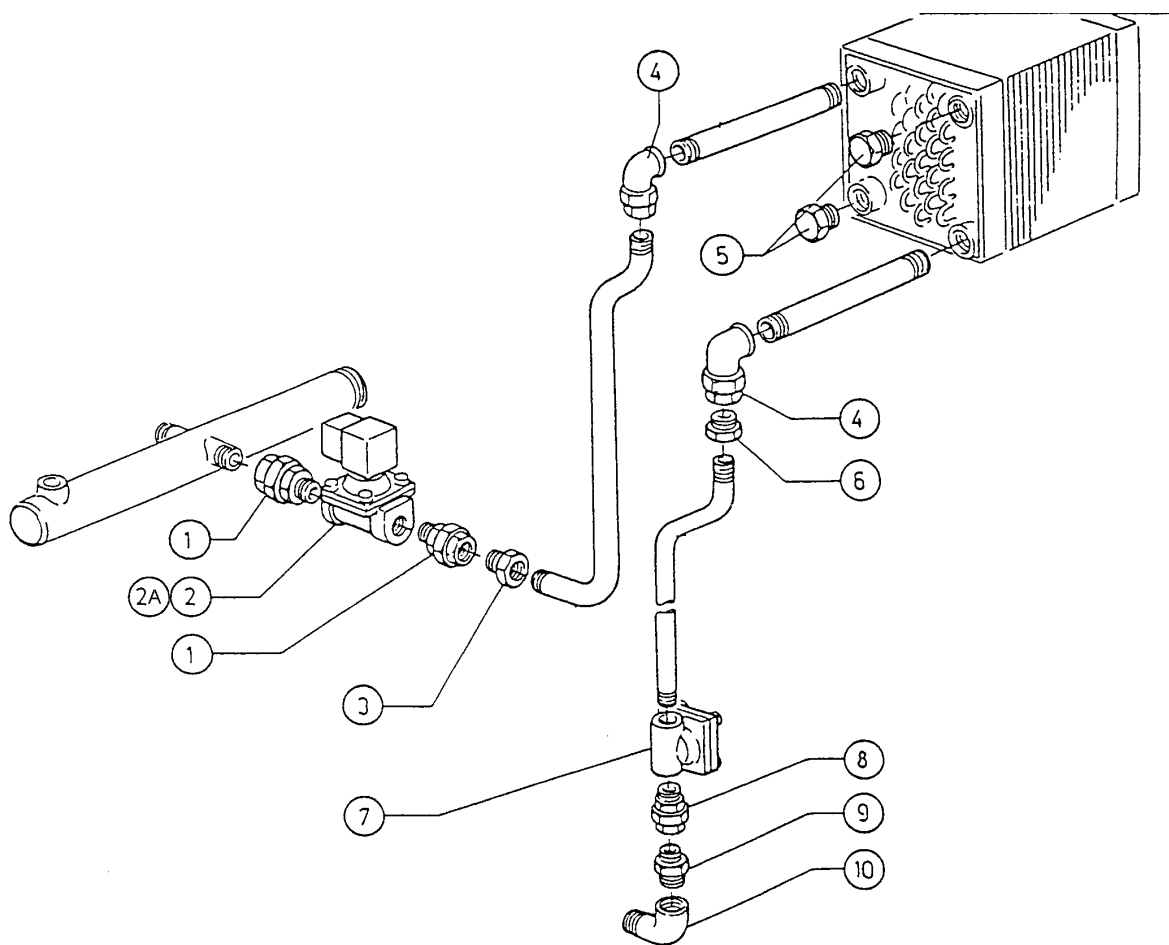
<b>CODE</b>	<b>DESCRIPTION</b>
120147	SOLENOID VALVE STEAM 3/4"
120152	SOLENOID VALVE STEAM 3/4"
240716	STEAM COIL G66-S3
270102	LOCK NUT 3/4"
280512	STEAM COIL CONNECTION
300402	ELL FF 1/2"
300409	ELL MF 1/2"
300601	PIPE UNION 1/2"
300602	PIPE UNION 3/4"
300902	TEE 1/2"
310302	NIPPLE 3/4"-1/2"
460503	SEALING WASHER 38X27X2(3/4)



25 - Steam version

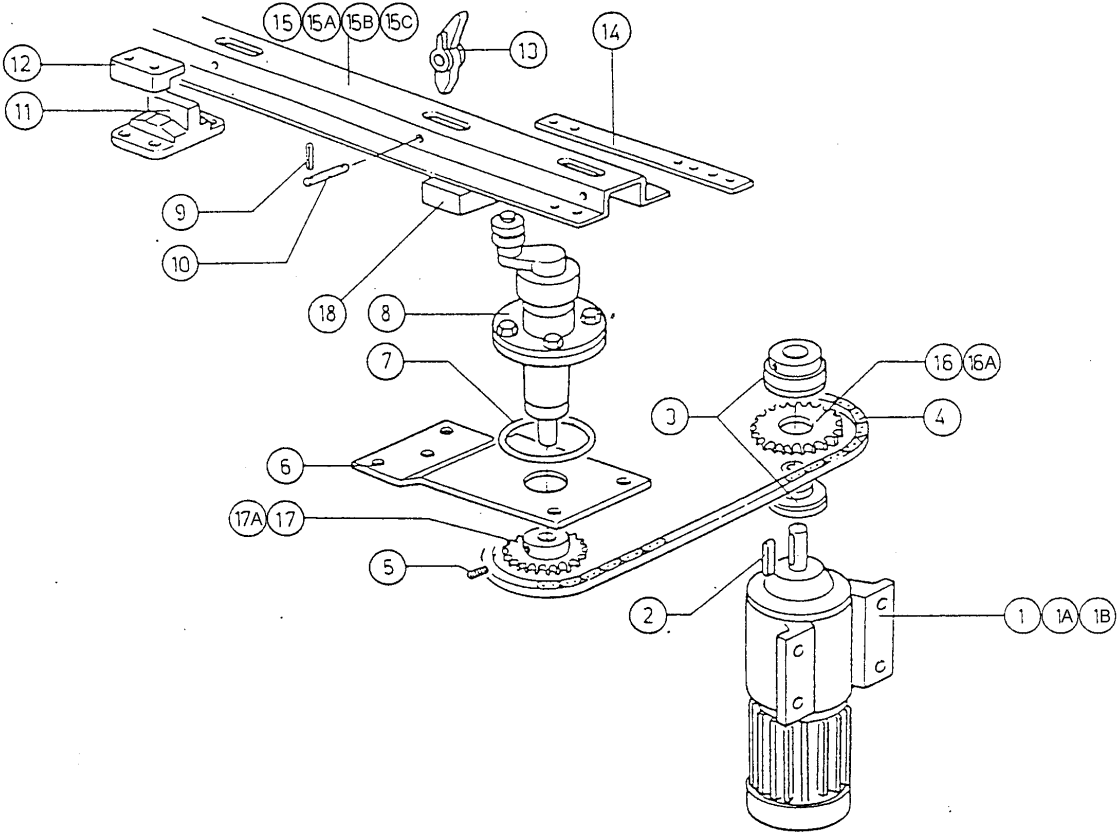
CODE	DESCRIPTION
120148	STEAM SOLEN.VALVE 1" + CONNECT
120153	SOLEN.VALVE
300210	NIPPLE 3/4"
300409	ELL MF 1/2"
300410	ELL 3/4" MF
300411	ELL 1"
300601	PIPE UNION 1/2"
300602	PIPE UNION 3/4"
300603	PIPE UNION MF 1"
310104	.
310702	STEAM TRAP 1/2" MK 25/3
330314	STEAM BOILER 30000 KCAL/H
390627	PUMP SUPPORT





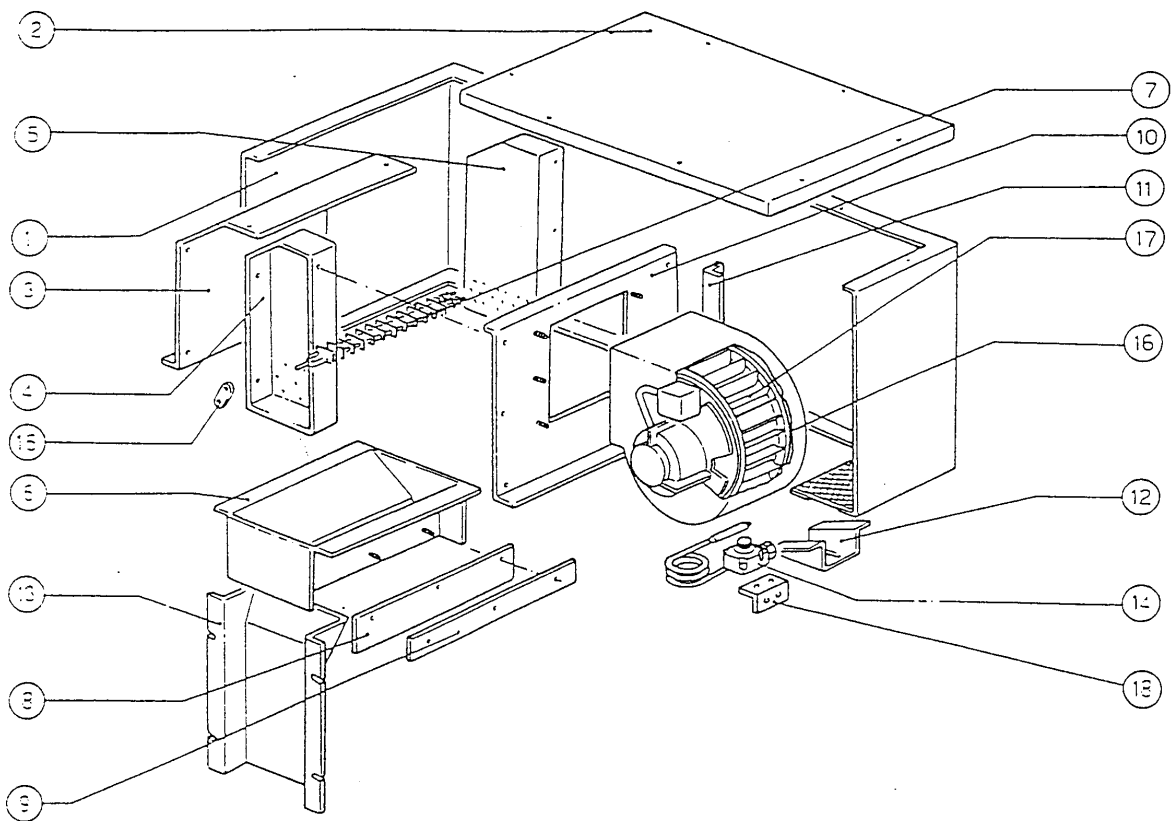
26 - Steam for dryer

CODE	DESCRIPTION
120148	STEAM SOLEN.VALVE 1" + CONNECT
120153	SOLE.N.VALVE
290118	BRASS TE PLUG 3/4"
300202	NIPPLE 3/4"-1/2"
300410	ELL 3/4" MF
300601	PIPE UNION 1/2"
300603	PIPE UNION MF 1"
300612	UNION ELL 3/4" F-F
310302	NIPPLE 3/4"-1/2"
310303	NIPPLE 1"-3/4" MF
310702	STEAM TRAP 1/2" MK 25/3



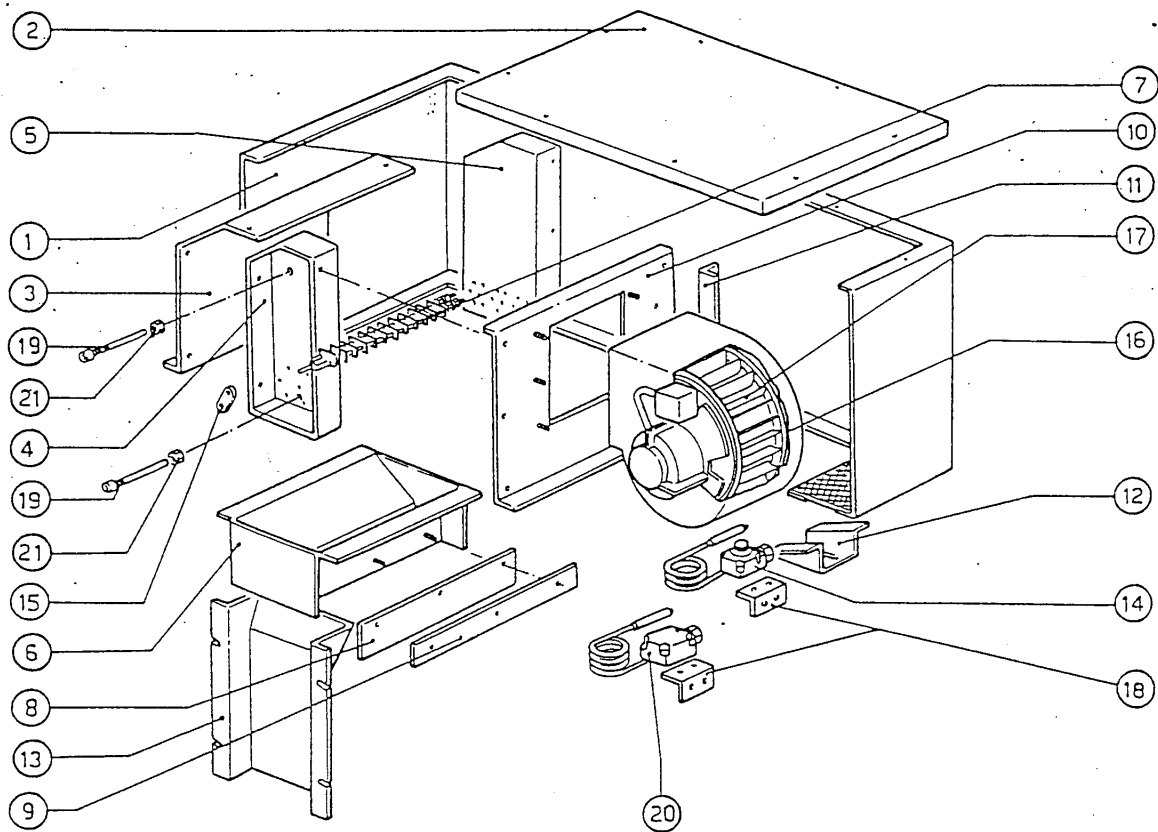
## 27 - Drive Components

CODE	DESCRIPTION
100216	DRIVE MOTOR KW 0,11/0,15 220V
100217	DRIVE MOTOR KW 0,11/0,15 380V
100223	DRIVE KW 0,11/0,15-415/3 R40DT
170324	GUIDE SUPPORT SE-S2200-290
190620	CLAMPING PIECES S 3
200803	OR GASKET 3,53X98,02X105,08
250203	GRUB SCREW 8X12
320668	PLATE
320684	BRACKET
321742	GUIDE
321743	GUIDE
321744	GUIDE
321745	GUIDE
340288	CHANNEL F.DRIVE BEARING S3Ø-SE
340479	PAWL PINS SNL-SE
410231	TURNED PINION Z14 1/2"-D.20
410240	TURNED PINION Z17-1/2"-D.20
410301	CROWN DISCS 28T PITCH 1/2"
410307	CROWN DISCS 1/2" PITCH
410405	TORQUE LIMITER D.25 NTP SE/1
410801	DRIVE CHAIN 1/2" N-S
441122	DRIVE SHAFT KEY 6X6X25 UNI 660
451002	COTTER PIN STAINL.ST. D2X12
510414	NICKEL-PLATED PAWL SNL-SE
620144	DRIVE ASSEMBLY



**28 - Blower Dryer**

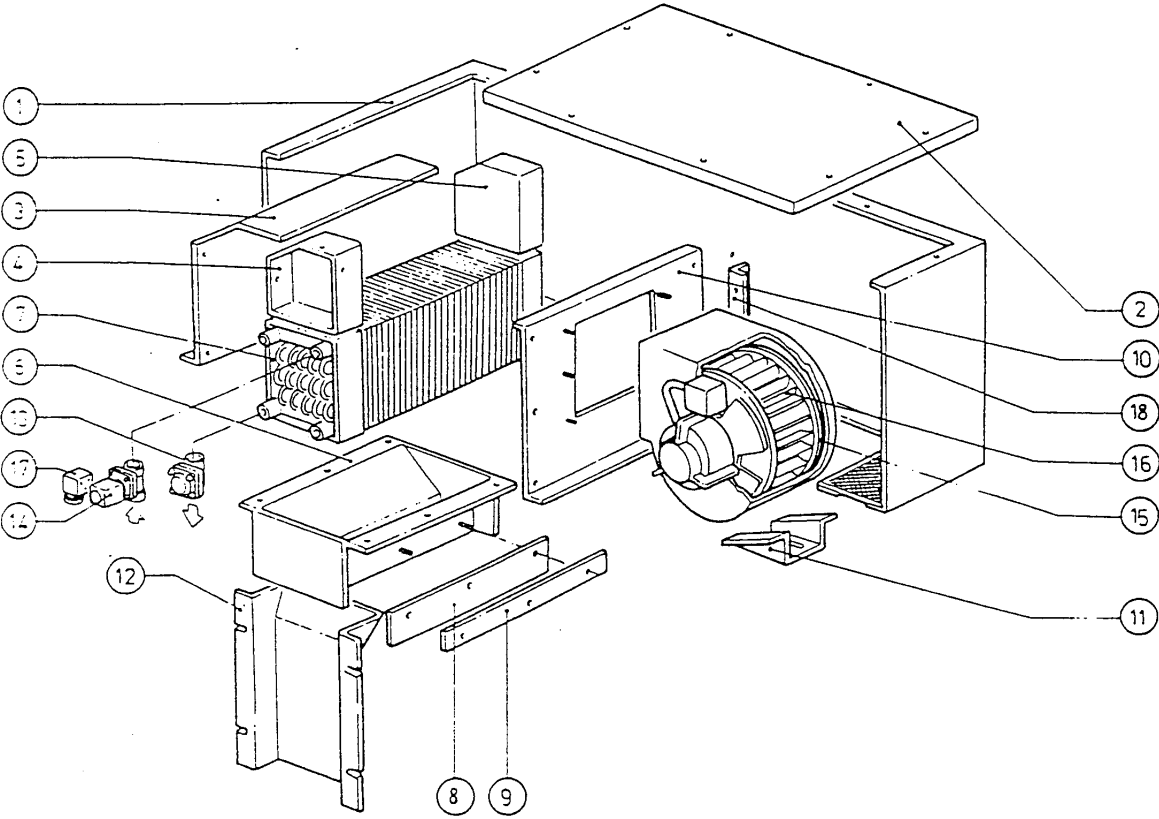
<b>CODE</b>	<b>DESCRIPTION</b>
100531	FAN HP1,5-220/380/415-BPN9
110704	HEAT.ELEMENT/DRYING 1000W 220V
120520	SECURITY THERMOSTAT 110-130Ø
140101	BRASS CONNECT. PLATE HEAT.ELEM
190915	FIXING PLATE
320132	DEFLECTOR F. DRYER
320134	DRYER DEFLECTOR
320347	COVER FOR DRYER
320669	FIXING PLATE
331441	BRACKET FOR DRYING VENTILATOR
331459	BRACKET FOR DRYING VENTILATOR
341327	FAN SUPPORT
341347	RIGHT SUPPORT
341348	LEFT SUPPORT
350737	BRACKET FOR CLOSED THERMOSTATS
360911	PANEL
370413	DRYING MODULE
630312	FAN IMPELLOR X C 100531 D.300X



**29 - Blower Dryer**

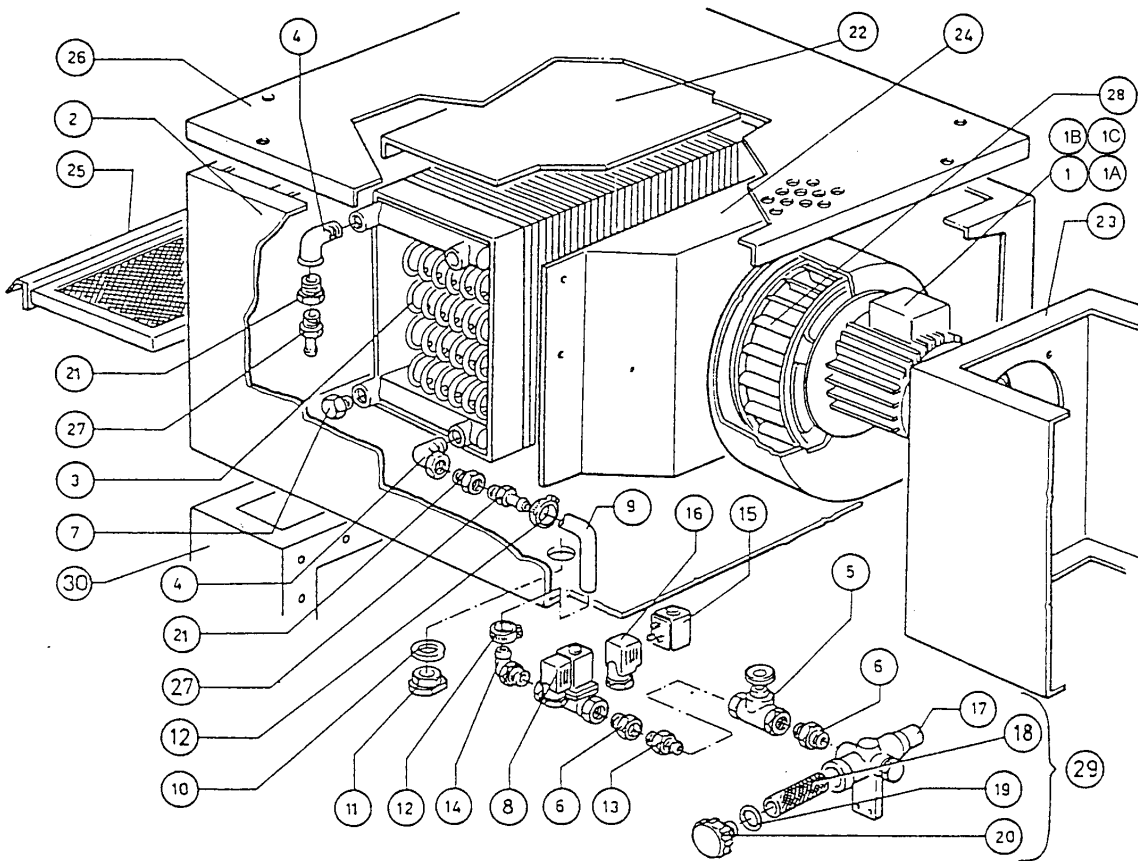
<b>CODE</b>	<b>DESCRIPTION</b>
100531	FAN HP1,5-220/380/415-BPN9
110704	HEAT.ELEMENT/DRYING 1000W 220V
120512	THERMOSTAT IM50/210Ø
120520	SECURITY THERMOSTAT 110-130Ø
140101	BRASS CONNECT. PLATE HEAT.ELEM
190915	FIXING PLATE
270101	HEXAGON LOCK NUT 1/2"
320132	DEFLECTOR F. DRYER
320134	DRYER DEFLECTOR
320347	COVER FOR DRYER
320669	FIXING PLATE
331441	BRACKET FOR DRYING VENTILATOR
331459	BRACKET FOR DRYING VENTILATOR
341327	FAN SUPPORT
341347	RIGHT SUPPORT
341348	LEFT SUPPORT
350737	BRACKET FOR CLOSED THERMOSTATS
360911	PANEL
370413	DRYING MODULE
450515	STAINL.ST.SHIELD FOR 1 THERMOS
630312	FAN IMPELLOR X C 100531 D.300X





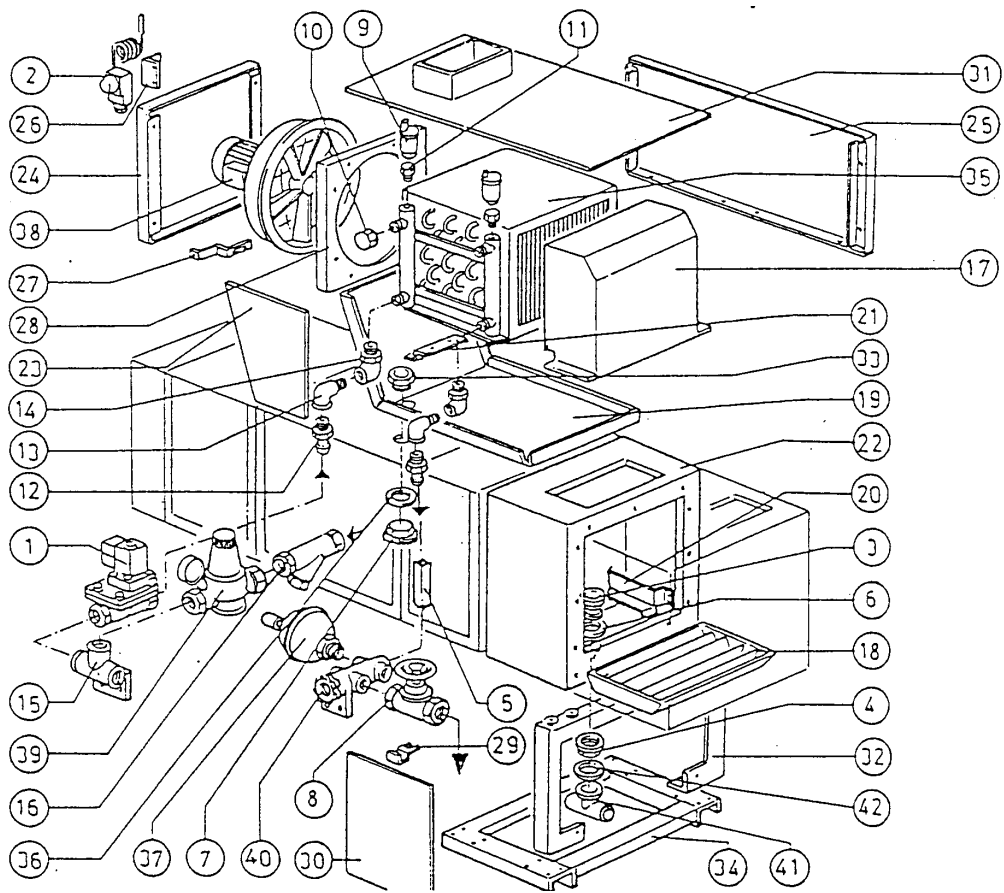
### 30 - Steam Blower Dryer

<b>CODE</b>	<b>DESCRIPTION</b>
100531	FAN HP1,5-220/380/415-BPN9
120108	SOLENOID V. STEAM 24V50HZ 1"G
150033	CONNEC.F.SOLEN.VALVE 182.09.N
190915	FIXING PLATE
310702	STEAM TRAP 1/2" MK 25/3
320132	DEFLECTOR F. DRYER
320134	DRYER DEFLECTOR
320347	COVER FOR DRYER
320669	FIXING PLATE
331441	BRACKET FOR DRYING VENTILATOR
331459	BRACKET FOR DRYING VENTILATOR
341327	FAN SUPPORT
341338	RIGHT PANEL
341339	LEFT PANEL
360911	PANEL
370413	DRYING MODULE
400815	BATTERY FOR DRYING (9-12KW) SE
630312	FAN IMPELLOR X C 100531 D.300X



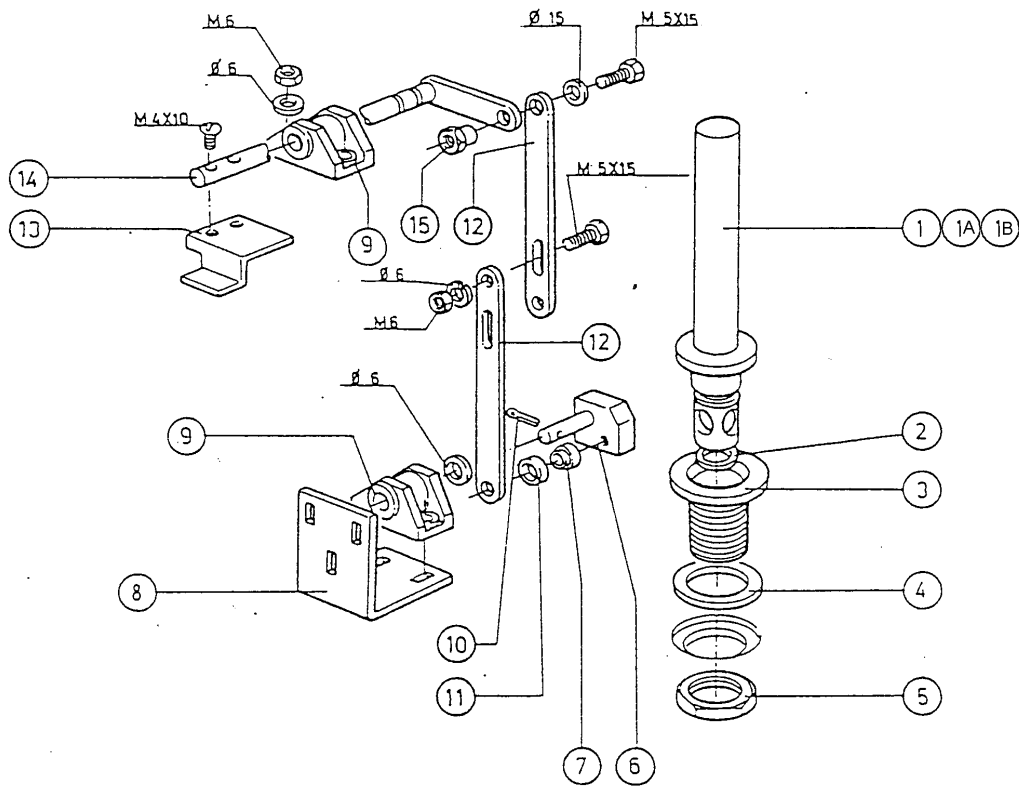
### 31 - Steam Condenser

CODE	DESCRIPTION
100509	FAN 0,75HP 220/415 V164/2
100515	FAN HP 0,75/240/415 (100509)
100523	FAN 0,75 HP 220/380V-60HZ
100526	FAN HP 0,75 255/440-60-VR184
120131	SOLE. L182Q31-ZB10A 1/2"24V
150034	CONNec.F.SOLEN.VALVE 122.09.N
160709	KNOB OF MANIFOLD F. SOLEN. VAL
200113	RUBBER HOSE 12 X 22
200814	O-RING 34,52X41,58X3,53
270301	BRASS NIPPLES 1/2"
280408	NUT
280601	GATE VALVE 1/2" BRASS
290215	1/2"BSP M/F UNION BRASS
290410	NIPPLE 1/2"
300410	ELL 3/4" MF
310302	NIPPLE 3/4"-1/2"
310402	PLUG 3/4"
320123	VORTEX BREAKER F.STEAM CONDENS
320335	TOP PANEL FOR STEAM CONDENSER
320336	TOP PANEL FOR STEAM CONDENSER
320349	TOP FOR SPLASH HOOD WITH STEAM
330526	FILTERS 22X28 SOLENOID V.MANIF
330549	CONDENSATE UNIT FILTER
340318	PANEL
370410	CONDENSER MODULE
400810	BATTERY (400817)
450104	CLAMP FE ZN H=12,5 15-24
460503	SEALING WASHER 38X27X2(3/4)
510285	SOLENOID VALVE MANIFOLD - BRAS
510407	NIPPLE FOR BOILER N S
620121	TWIN SOLENOID VALVE MANIFOLD
630301	FAN IMPELLOR FOR 100509
630948	COIL Z610A 24V 50/60-L180V01



32 - Heat recovery unit

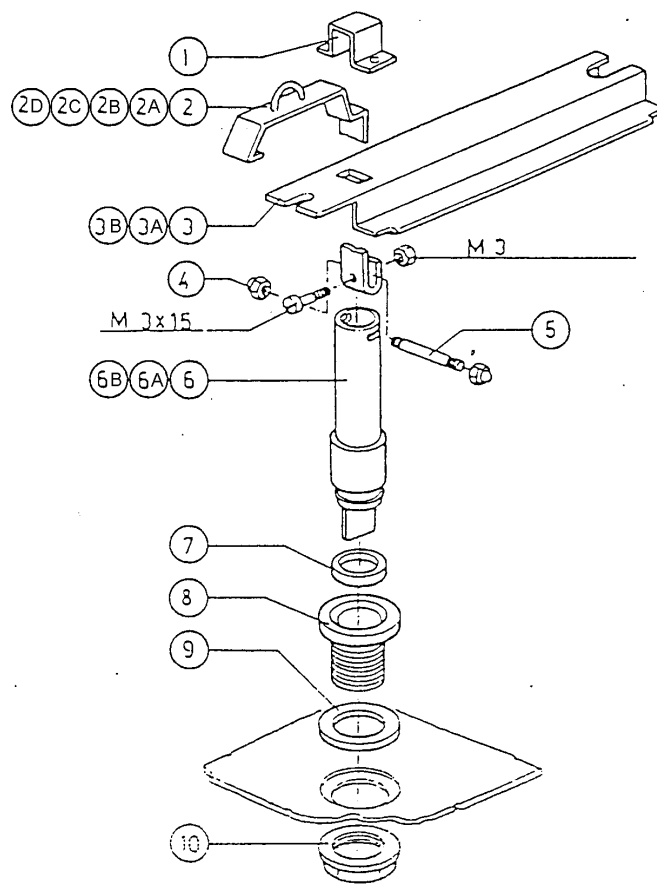
CODE	DESCRIPTION
100512	FAN HP 0,75 400EVH/4/27
120123	SOLENOID VALVE L180B12 1" V.24
120515	THERMOSTAT 0-90°C
160301	DRAIN OUTLET 1"1/2 C-S-N
180109	LOCK NUT 1 1/2"
190307	SPECIAL TEE GRAU MPL.
200104	DISCHARGE HOSE 20X30
200410	DRAIN OUTL.WASH.1 1/2"65X47X2
200412	GASKET DRAIN 11/2" 45X33X3
280408	NUT
280601	GATE VALVE 1/2" BRASS
280605	AUTOMATIC AIR VENT 1/4" GAS
281101	3/4" ADJ VALVE C/W GAUGE
290118	BRASS TE PLUG 3/4"
290306	CONNECTION 1/4 MF
290403	NIPPLE M.3/4" BRASS
300410	ELL 3/4" MF
300612	UNION ELL 3/4" F-F
300914	TEE 1"
310603	STRAINERS JU 1" MOD.45
320111	DEFLECTOR F. HRU
320116	DEFLECTOR
320128	BREAKER (320150)
321758	GUIDE
330774	BRACKET
340183	HOOD
340320	PANEL
350258	PANEL
350296	PANEL
350737	BRACKET FOR CLOSED THERMOSTATS
350752	BRACKET
350809	SUPPORT
351130	BRACKET FOR PANEL S-SE
351146	FRONT/BACK PANEL HEAT RECOVERY
360910	COVER
361015	FRAME
380146	CONDENSER UNIT DRAIN CONNECTIO
390289	FRAME
400809	CONDENSER BATTERY ENERGY REC.
460503	SEALING WASHER 38X27X2(3/4)
620121	TWIN SOLENOID VALVE MANIFOLD
631303	HYDRAULIC AIR VESSEL FOR HEAT



**33 - Drain Parts**

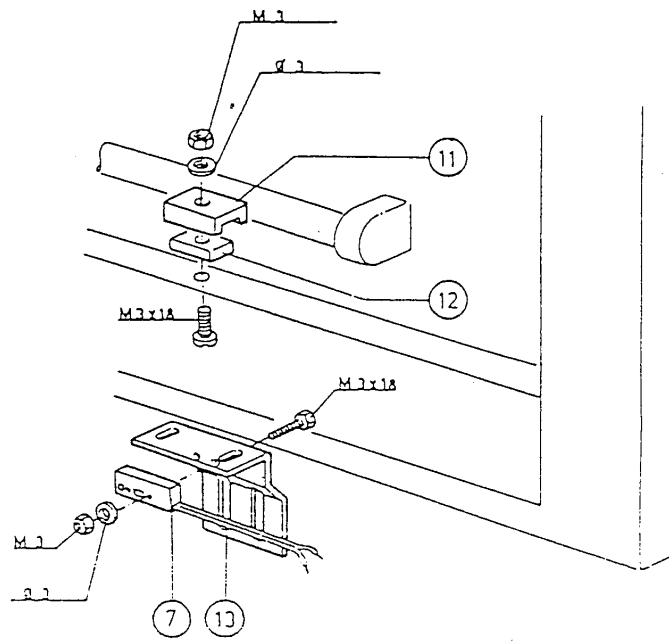
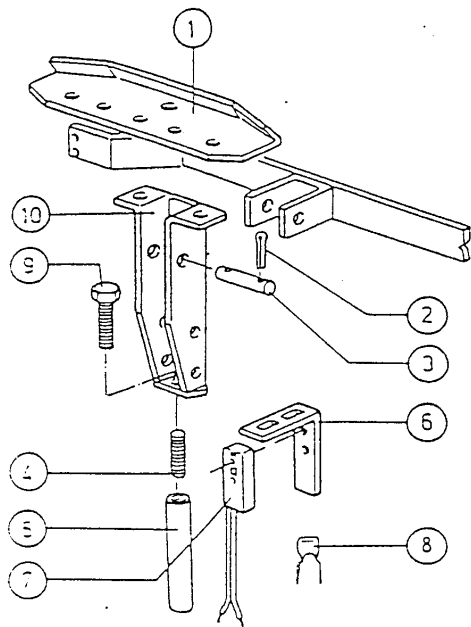
<b>CODE</b>	<b>DESCRIPTION</b>
160514	SPACER 7,9 108378 MOP
160830	WASHER
190122	BEARING FOR DRAIN GROUP SE
200410	DRAIN OUTL.WASH.1 1/2"65X47X2
270104	LOCK NUT 1" 1/2
270405	DRAIN OUTLET N
330840	BUSCH
330847	- DISTANZIALE X SCARICO SE
330848	- ECCENTRICO SCARICO SE
331432	HANDLE
331462	BRACKET
341231	SHAFT
370208	TRANSMISSION LEVER /DRAIN SE
380812	OVERFLOW PIPE WASHING TANK SE
380813	OVERFLOW PIPE PRE-WASH.TANK S
380814	OVERFLOW TUBE FOR TANK S2700
451002	COTTER PIN STAINL.ST. D2X12





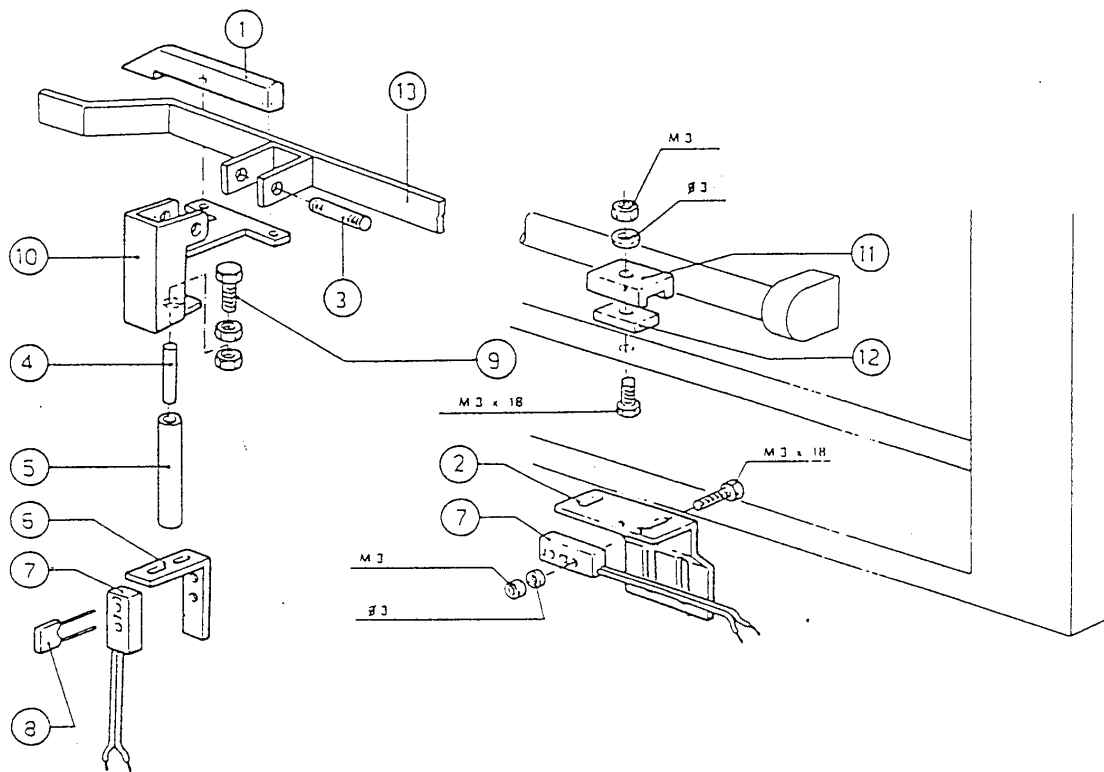
## 34 - Drain Parts

CODE	DESCRIPTION
160830	WASHER
200410	DRAIN OUTL.WASH.1 1/2"65X47X2
260418	SELF-LOCKING NUT M4
270104	LOCK NUT 1" 1/2
270405	DRAIN OUTLET N
321058	SUPPORT
321059	FILTERS-SUPPORT
321060	FILTERS-SUPPORT
331465	BRACKET FOR UNLOADING
331466	-AGGANCIO PER TROPPOP.PREL SE
331467	OVERFLOW PIPE BRACKET
331468	OVERFLOW PIPE BRACKET
331470	OVERFLOW PIPE BRACKET
331473	-AGGANCIO TROPP.LAV.ANG.S2700
341246	SHAFT FOR AC-ACR OVERFLOW
380815	OVERFLOW TUBE /PRE-WASH.TANK S
380816	OVERFLOW TUBE / WASH. TANK SE
380817	OVERFLOW PIPE WASH TANK SE2700



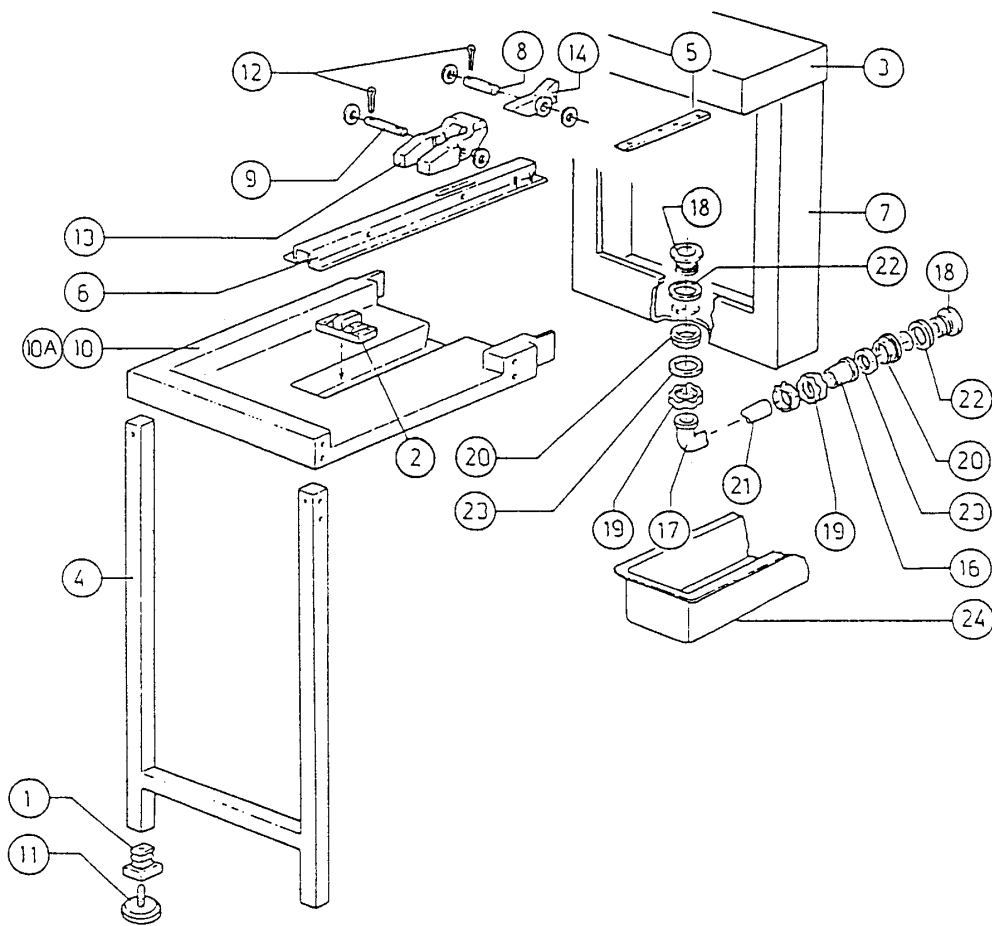
**35 - Economiser**

<b>CODE</b>	<b>DESCRIPTION</b>
120342	DOR MAGNETIC SWITCH
190806	MAGNET HOUSING
191019	MAGNET HOUSING S90 MOPL.-S.N.L
260130	SCREW TE 10X50 S/S
320682	PLATE FOR ECONOMISER
320683	SNL-ECONOMIZER LEVER
331454	MICRO SWITCH BRACKET
331455	BRACKET FOR RINSE MICROSWITCH
340479	PAWL PINS SNL-SE
411001	PERMANENT MAGNET 8X40
411002	PERMANENT MAGNET 24X12
451002	COTTER PIN STAINL.ST. D2X12
631213	CAPACITOR 0,1MF



**36 - Economiser**

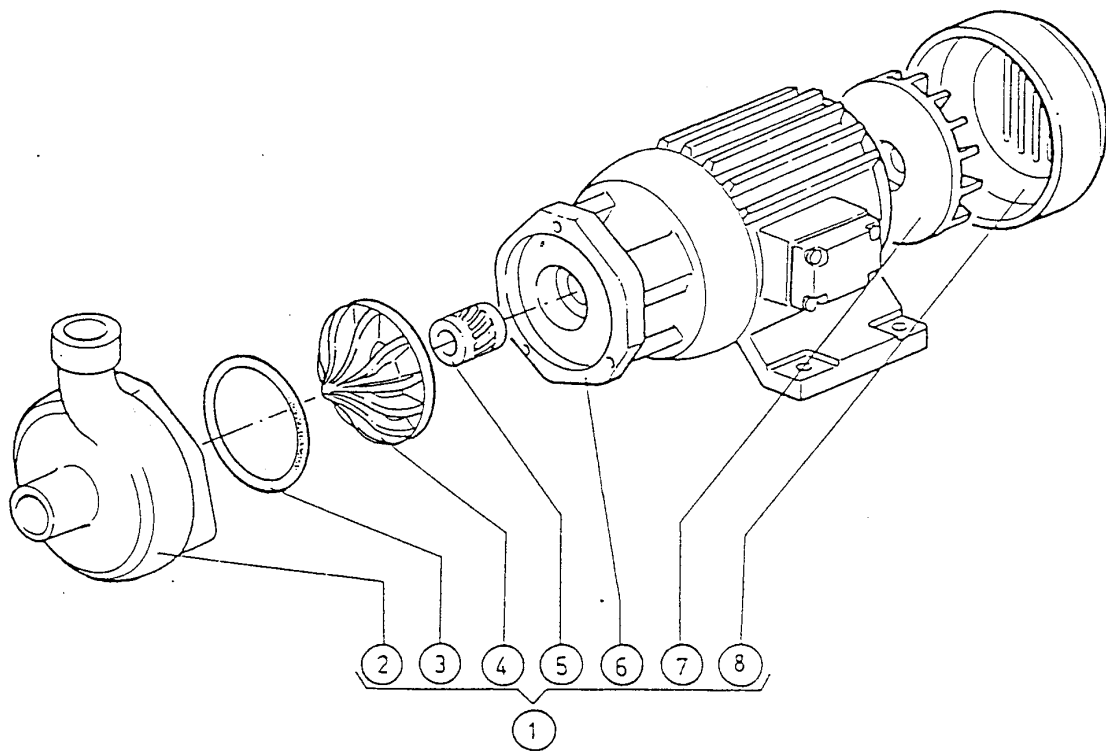
<b>CODE</b>	<b>DESCRIPTION</b>
120342	DOR MAGNETIC SWITCH
190806	MAGNET HOUSING
191019	MAGNET HOUSING S90 MOPL.-S.N.L
191051	SLIDING PAD SE SNL ECONOMIZER
260135	SCREW TE 12X50
320698	LEVER FOR ECONOMIZER SE SNL
321948	GUIDE
331454	MICRO SWITCH BRACKET
331455	BRACKET FOR RINSE MICROSWITCH
341255	PIN FOR ECONOMIZER SE SNL
411001	PERMANENT MAGNET 8X40
411002	PERMANENT MAGNET 24X12
631213	CAPACITOR 0,1MF



### 37 - Side Loading Table

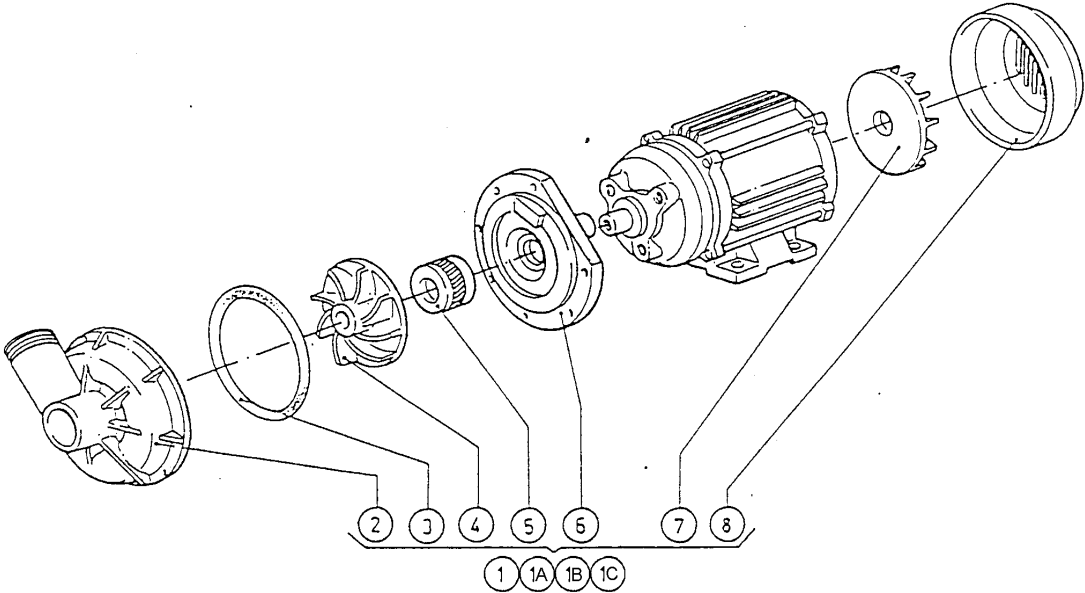
CODE	DESCRIPTION
160203	ELBOW 1"1/2 N-S-F-C /DRAIN
160301	DRAIN OUTLET 1"1/2 C-S-N
160707	PLUG 30X30X1,5
161124	DRYING OUTLET HOSE PROTECTION
170316	SUPPORT OF PAWL BAR GUIDE CO
180102	DRAIN PIPE NUT 1"1/2 F45-55
180109	LOCK NUT 1 1/2"
200105	RUBBER HOSE 50X60
200410	DRAIN OUTL.WASH.1 1/2"65X47X2
200412	GASKET DRAIN 11/2" 45X33X3
320348	BASE TOP FOR SPLASH HOOD
320512	TABLES LEG
320684	BRACKET
320899	GUIDE
340185	HOOD
340462	SHORT TRAY CARRIER PIN GM-S290
340479	PAWL PINS SNL-SE
340546	CORNER ENTRY TABLE 600MM LEFT
340547	CORNER ENTRY TABLE 600MM RIGHT
440201	RUBBER FOOT D.60X10
450135	CLAMP FE ZN. 44-56 H=12,2
451002	COTTER PIN STAINL.ST. D2X12
510231	PAWL /CORNER LOAD.
510279	BRASS PAWL F.BRACKET / CORNER





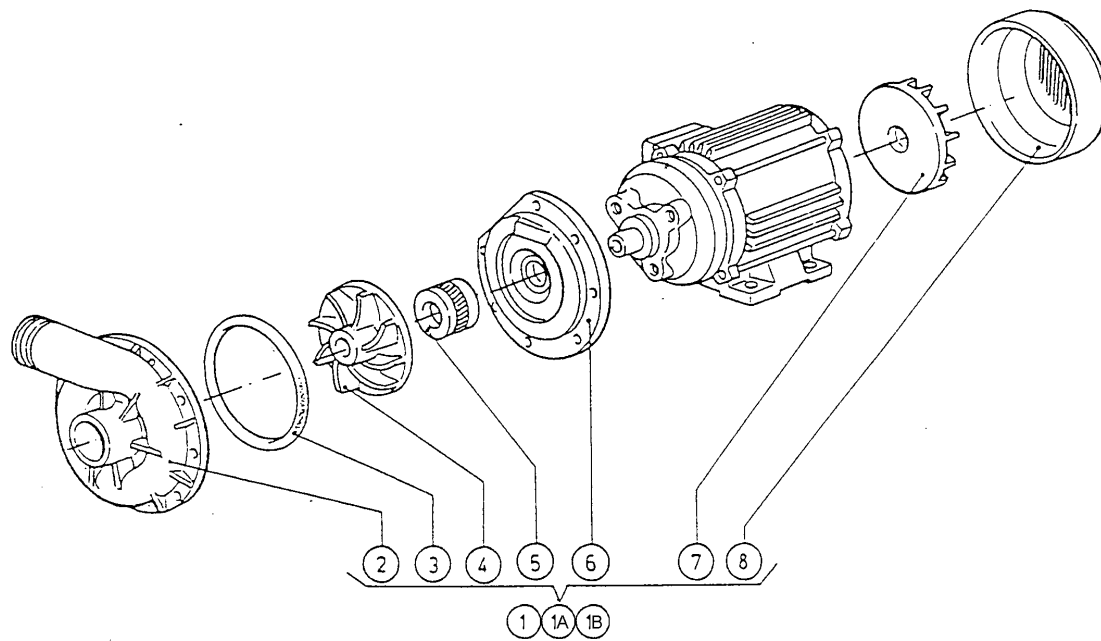
## 38 - Ecorinse Pump

<b>CODE</b>	<b>DESCRIPTION</b>
100647	PUMP HP 0,20 220/240/3 4226
630126	VOLUTE C16 ECORINSE
630237	PUMP FLANGE C16
630238	COVER
630316	FAN IMPELLOR
630417	OR FOR PUMP C16
630517	PUMP SEAL C16
631659	IMPELLER C16 C160



**39 - Prewash pump**

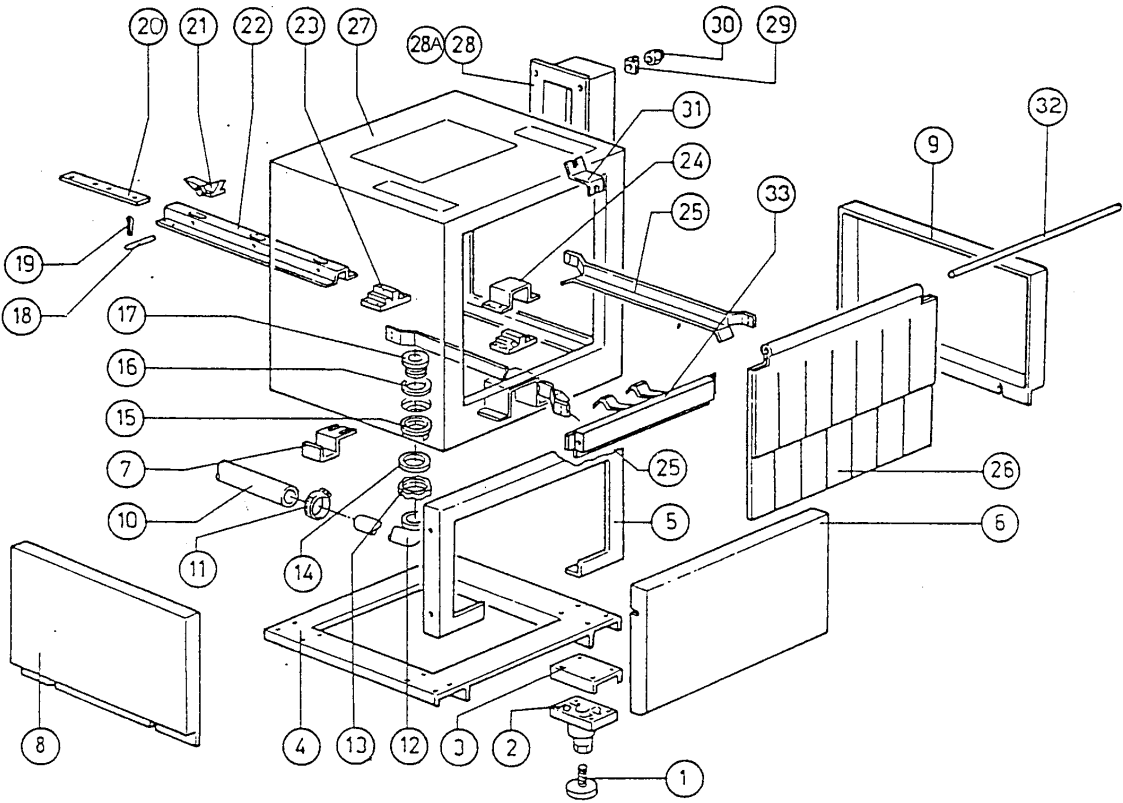
<b>CODE</b>	<b>DESCRIPTION</b>
100663	PUMP HP 1,5 220/380/50HZ
100664	PUMP HP 1,5 240/415 50HZ 1241
100665	PUMP HP 1,5 255/440V 50-1241
100666	PUMP 1,5HP 220/380 60HZ 1241
630114	VOLUTE FI HP2-2,7-3-3,2
630216	FAN HOUSING FIR HP 2-3
630223	BACK PLATE PUMP HP2-3-3,2
630306	PUMP FAN IMPELLOR FI HP 2-3
630411	O-RING PUMP FI HP 2-2,7
630501	SEAL FOR PUMP HP 2-3-3,2
631653	PUMP IMPELLER 1,5 HP 50HZ 1241



## 40 - Wash pump

CODE	DESCRIPTION
100678	PUMP HP 3,5 220/380-50HZ-2243
100679	PUMP HP 3,5 240/415-50HZ-2243
100680	PUMP HP 3,5 F 255/440V/50HZ-1
630114	VOLUTE FI HP2-2,7-3-3,2
630216	FAN HOUSING FIR HP 2-3
630223	BACK PLATE PUMP HP2-3-3,2
630306	PUMP FAN IMPELLOR FI HP.2-3
630411	O-RING PUMP FI HP 2-2,7
630501	SEAL FOR PUMP HP 2-3-3,2
631620	IMPELLER HP 3-3,2 1205-43

41 - Blower Dryer hood



41 - Blower Dryer hood

CODE	DESCRIPTION
160301	DRAIN OUTLET 1"1/2 C-S-N
161111	BACK COVER CHANNEL 130 N S2900
161112	BACK COVER CHANNEL 300 S N
170312	SUPPORT F.PAWL BAR GUIDE S90-
180102	DRAIN PIPE NUT 1"1/2 F45-55
180109	LOCK NUT 1 1/2"
190906	CURTAIN IN/OUT 620X480
200120	RUBBER HOSE 35X48
200410	DRAIN OUTL.WASH.1 1/2"65X47X2
200412	GASKET DRAIN 11/2" 45X33X3
210404	BLACK RUBBER FOOT S90 NE SE
260412	SELF-LOCKING NUT M6
320641	PLATE
320684	BRACKET
321111	COVER
321746	GUIDE
321949	GUIDE
330715	UPPER BRACKET CURTAIN SNL-SE
331440	PANEL
340179	HOOD
340422	SHAFT FOR CURTAIN AC-ACR
340479	PAWL PINS SNL-SE
350272	PANEL
350781	BRACKET
351130	BRACKET FOR PANEL S-SE
351145	PANEL
361015	FRAME
450107	CLAMP FE ZN 38-50 H=12,2
451002	COTTER PIN STAINL.ST. D2X12
510414	NICKEL-PLATED PAWL SNL-SE
620222	COMPLETE ALUMINIUM LEGS